

VW VANAGON 1980-92

SECTION INDEX

A/C /HEATER.....	2031
A/C REFRIGERANT CAPACITIES.....	2031
AIR CLEANER.....	2038
CLEAR COAT IDENTIFICATION.....	2029
COOLING.....	2030
ELECTRICAL.....	2038
ENGINE.....	2038
EXHAUST.....	2039
FRAME/FLOOR.....	2031
FRONT BODY.....	2029
FRONT BUMPER.....	2029
FRONT DOOR.....	2034
FRONT DRIVE AXLE.....	2033
FRONT LAMPS.....	2029
FRONT STEERING LINKAGE/GEAR.....	2033
FRONT SUSPENSION.....	2032
FUEL TANK.....	2039
GRILLE.....	2029
INSTRUMENT PANEL.....	2033
LIFTGATE.....	2037
PAINT CODE LOCATION.....	2029
REAR BODY.....	2039
REAR BUMPER.....	2040
REAR LAMPS.....	2039
REAR SUSPENSION.....	2038
ROOF.....	2036
SEAT.....	2034
SEAT BELTS.....	2034
SIDE DOOR.....	2035
SPECIAL CAUTIONS.....	2029
STEERING PUMP.....	2033
STEERING WHEEL/COLUMN.....	2033
STRIPE TAPE.....	2031
SUNROOF.....	2036
VAN SIDE PANEL.....	2036
WHEEL.....	2032
WINDSHIELD.....	2033

SPECIAL CAUTIONS

ELECTRICAL COMPONENTS

Ignition must be in off position before any electrical repair is performed.

WELDING

Before initiating any repair involving the use of an electric welder, the ignition must be in the off position and both battery terminals disconnected.

SUSPENSION

Manufacturer advises that some new fasteners must be used whenever old fasteners are loosened or removed.

PAINT CODE LOCATION

Paint code located under left side of dash.

CLEAR COAT IDENTIFICATION

All metallic colors are clear coat.

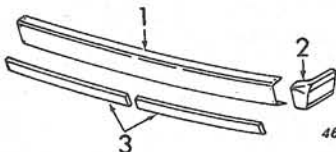
FRONT BUMPER

Use Procedure Explanations 1 and 28 with the following text.

STANDARD

Refinish Face Bar.....	1.0
R&I Bumper Assy.....	.6
O/H Bumper Assy (Includes R&I).....	1.3

NOTE: All Parts in this section are included in overhaul unless noted otherwise.



1 Face Bar			
Primered (P)	251 807 111 C GRU	1.3	0.00
Chrome	255 807 111 B	1.3	875.04

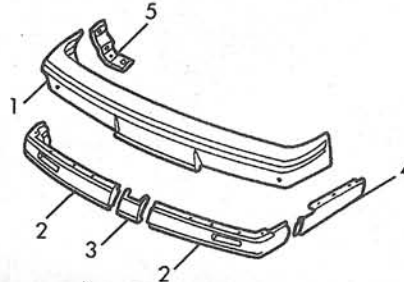
(P) Paint to Match			
2 End, Face Bar	R 251 807 124 A 1BG	.3	24.02
	L 251 807 123 A 1BG	.3	24.02
3 Strip, Impact Hook, Tow	R/L 251 807 221 A	.2	56.63
	251 807 401	#	15.03

#Not Included in O/H

DELUXE

Refinish Cover.....	2.0
R&I Bumper Assy.....	.6
O/H Bumper Assy (Includes R&I).....	.8

NOTE: All Parts in this section are included in overhaul unless noted otherwise.

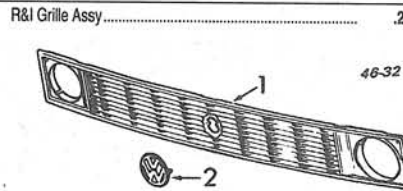


46-921

1 Cover (P)	255 807 111 C GRU	.8	753.57
(P) Paint to Match			
2 Spoiler Front	R 255 805 904 A	#.3	99.95
	L 255 805 903 A	#.3	99.95
	255 805 905	#.2	14.20
3 Center	R/L 255 805 912-1	#.3	52.12
4 Side			
#R&R Complete 1.0, Not Included in O/H			
5 Bracket, Mounting	R/L 255 807 115	IOH	21.45

GRILLE

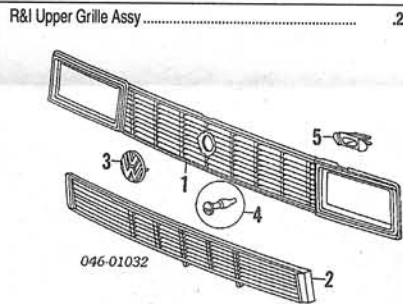
1980-85



46-321

R&I Grille Assy.....		.2	
1 Grille, Upper	255 853 652 G	#.3	216.92
Grille, Lower			
Diesel	251 853 663	#.2	76.23
#Included in R&R Front Body Panel			
2 Emblem	321 853 601	.1	d14.42

1986-92



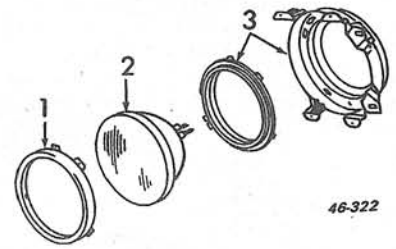
046-01032

R&I Upper Grille Assy.....		.2	
1 Grille, Upper	255 853 652 K	#.3	239.72
2 Grille, Lower	251 853 663	#.2	76.23
#Included in R&R Front Body Panel			
3 Emblem	321 853 601	.1	d14.42
4 Pin, Retainer (5)	251 853 731		2.87
5 Clip, Retainer (5)	251 853 696		1.30

FRONT LAMPS

HEADLAMP
1980-85

R&R Does Not Include Aim Lamps..... .4



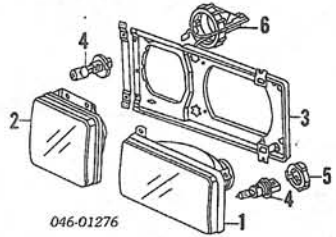
46-322

1 Ring, Retainer	R/L 111 941 049 A		21.37
2 Sealed Beam	R/L N 017 614 2	#.2	46.55
#w/Grille Removed			
3 Housing & Ring	R/L 251 941 605 B	#.4	110.68
#w/Grille Removed, Includes R&R Sealed Beam			

HEADLAMP

1986-92

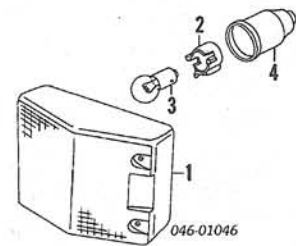
R&R Does Not Include Aim Lamps..... .4



046-01276

Lens & Housing			
1 Low Beam	R 255 941 106 A	#.2	139.78
	L 255 941 105 A	#.2	118.90
2 High Beam	R/L 533 941 062-1	#.2	120.72
#w/Grille Upper Removed			
3 Frame Assy, Retaining	R 255 941 046 A	#.5	124.02
	L 255 941 045 A	#.5	124.02
#w/Grille Upper Removed, Includes R&R Low & High Beam			
Screw, Adjusting[]			
Horizontal	R/L 255 941 141 C		4.42
Vertical	R/L 191 941 297		8.27
[]Included w/Retaining Frame Assy			
4 Bulb, Halogen			
Low Beam	R/L N 100 666 02		11.98
High Beam	R/L N 017 762 2		4.77
5 Ring, Retaining			
Low Beam	R/L 165 941 621		6.10
High Beam	R/L 165 941 621		6.10
Socket (Pin Housing)			
Low Beam	R/L 165 941 165		10.30
High Beam	R/L 321 941 600		2.35
6 Cap, Housing	R/L 323 941 607		16.00

PARK/SIGNAL LAMP



046-01046

1 Lamp, Park/Signal	R 251 953 142 B	#.2	35.10
	L 251 953 141 B	#.2	35.10
#Included in R&R Outer Hinge Pillar			
2 Socket	R/L 171 953 053 A		15.17
3 Bulb	R/L N 901 424 01		5.65
4 Cap	R/L 171 953 175 A		2.77

FRONT BODY

Use Procedure Explanations 8, 14 and 28 with the following text.

SHEET METAL

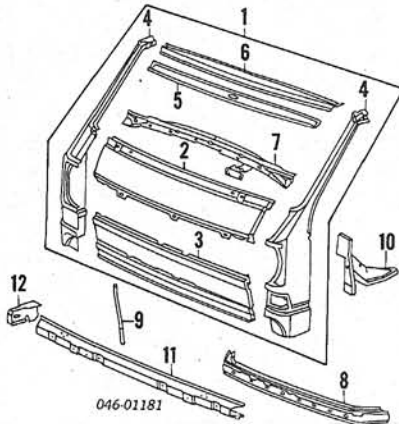
Refinish Front Panel Assy.....	6.7
Add for Each Pillar Inside.....	R/L .5
Refinish Front Panels	
Upper Panel.....	2.0
Center Panel.....	2.1
Outer Pillar.....	R/L 1.9
Front Floor Plate.....	2.0
Angle Plate Assy.....	R/L 1.7
Lock Pillar.....	R/L 1.0

VW VANAGON 1980-92

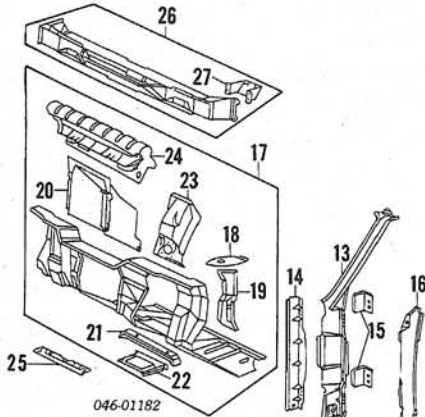
FRONT BODY Cont'd

SHEET METAL Cont'd

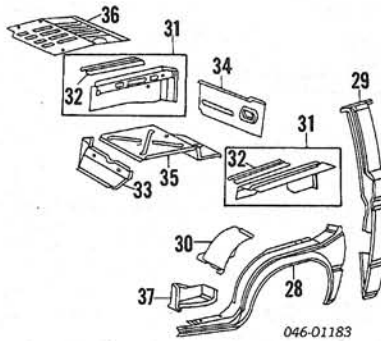
NOTE: Outer Panel times are with bolted parts, Windshield and Instrument Panel removed if necessary. Inner panel times are with bolted parts removed.



1 Panel Assy, Front					
Air Cooled Eng	251 805 033	s	24.0	d713.00	
Water Cooled Eng	251 805 033 A	s	24.0	796.02	
2 Panel, Upper	251 805 035	s	5.5	163.35	
3 Panel, Center					
Air Cooled Eng	251 805 037	s	6.5	d131.40	
Water Cooled Eng	251 805 037 A	s	6.5	198.52	
4 Pillar, Hinge Outer	R/L 251 805 054-3	s	8.5	252.30	
5 Header, Windshield	251 817 507	s	1.0	119.60	
6 Reinf, Header	251 817 317	s	1.0	40.23	
7 Reinf, Pillar (a)	R/L 251 805 241	s	2.0	171.33	
#Included w/Front Panel Assy					
#Includes Bracket for Pedal Cluster					
Midg, Hinge Pillar-See Exterior Trim Section					
8 Beam, Impact	251 805 329 B	s	3.0	350.03	
9 Strut, Impact	251 805 377 A			13.02	
10 Reinf, Impact Beam					
To Outrigger	R/L 251 805 352-1			99.55	
11 Panel, Lower	251 805 041 C	s	3.0	262.75	
12 Brkt, Lower Panel	R/L 251 805 088-7			16.62	



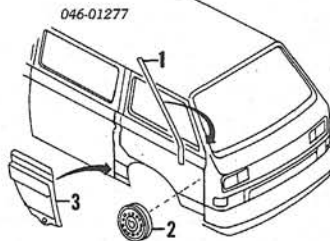
13 Pillar, Hinge Inner	R 251 809 202 A	s	3.5	320.15	
	L 251 809 201 A	s	3.5	320.15	
14 Reinf, Pillar	R 251 809 208 A	s	1.0	46.10	
	L 251 809 207 A	s	1.0	46.10	
15 Reinf, Hinge	R/L 251 809 163			21.58	
16 Plate, Pillar Cover	R 251 809 218 B	s	1.5	62.25	
	L 251 809 217 B	s	1.5	62.25	
17 Plate Assy, Front Floor	251 801 051 C	#10.0		774.83	
#w/Front Panel Removed					
18 Filler, Floor Plate	R/L 251 801 077			12.62	
19 Reinf, Pedal Plate	R 251 801 070			46.45	
	L 251 801 069			51.85	
20 Plate, Pedal Center	251 801 057 A			88.12	
21 Upper	251 801 079			16.15	
22 Lower	251 801 063			16.68	
23 Insert, Pedal Plate	251 801 073 B			141.73	
24 Box, Deflector	251 801 381 A			235.90	
25 Bracket, Radiator	251 121 383 A			30.83	
#Included w/Front Floor Plate Assy					
26 Reinforcement Assy, Dash Panel	255 805 291 C	s	5.0	353.38	
27 Brkt, Steering Tube	251 805 305			16.88	
#Included w/Dash Panel Reinforcement Assy					



28 Plate, Angle					
Below Door	R 251 809 244 B	s	#6.5	258.73	
	L 251 809 243 B	s	#6.5	228.58	
#w/Lock Pillar Removed 5.0					
29 Pillar, Lock	R 251 809 254	s	7.5	214.47	
	L 251 809 253	s	#9.0	214.47	
#Deduct 2.0 w/Side Body Outer Panel Removed					
Midg, Lower Trim-See Exterior Trim Section					
Plate, Cover Inner					
2WD	R 251 809 238 A			d250.35	
	L 255 809 237 A			441.30	
4WD	R 251 809 238 B			323.87	
	L 255 809 237 A			441.30	
30 Wheelhouse, Front	R 251 801 700 A	1.0		44.68	
	L 251 801 699 A	1.0		44.68	
31 Wheelhouse, Rear					
2WD	R/L 251 801 202-1	1.5		179.27	
4WD	R 251 801 202 A	1.5		163.60	
	L 251 801 201 A	1.5		153.82	
32 Runner, Seat	R/L 251 801 345			33.03	
#Included w/Rear Wheelhouse					
Plate, Wheelhouse					
33 Front	R 251 801 690			48.85	
	L 251 801 689			47.48	
34 Rear	R 251 801 244			66.17	
	L 251 801 243			73.73	
35 Box, Battery					
2WD	R 251 801 281			246.88	
	L 251 801 283			136.23	
4WD	R 251 801 284 B			136.23	
	L 251 801 283 E			136.23	
36 Plate, Cover	R/L 251 801 163 C			88.20	
37 Stepwell Well, Spare Wheel	R/L 251 801 174-3	1.5		32.95	
	251 801 901 D			324.82	

EXTERIOR TRIM

Refinish Lower Trim Moulding..... 5



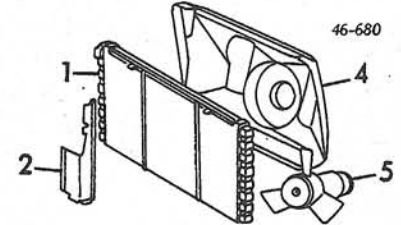
1 Moulding, Hinge Pillar					
Chrome	R 251 853 706	739	.3	14.45	
	L 251 853 705	739	.3	d10.23	
Black	R 251 853 706	1B G	.3	14.45	
	L 251 853 705	1B G	.3	d10.23	
2 Emblem					
"Wolfsburg Edition"	R/L 321 853 675 B	TK9	.3	d24.60	
Red/White	R/L 321 853 675 B	ZS3	.3	d25.95	
Red/Black	251 035 503 A		.8	79.50	
3 Antenna Assy					
Moulding, Lower Trim (P)	255 853 974 A	GRU	.3	147.98	
On Right Lock Pillar					
(P) Paint to Match					
Bracket, Moulding	R/L 255 853 985			4.00	
4 Mud Flap w/Brkt	R 251 821 810		.3	d35.62	

5 Mud Flap	L 251 821 809	.3	d45.68
	R 251 821 810 A	.2	43.50
	L 251 821 809 A	.2	43.50
Tape, Stripe-See Stripe Tape Section			

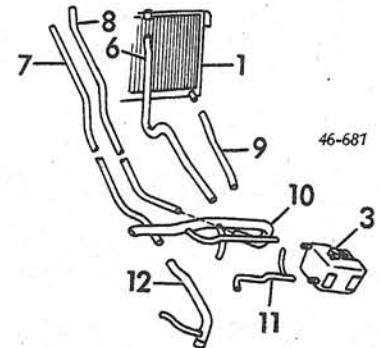
COOLING

Use Procedure Explanations 5 and 28 with the following text.

WATER COOLED GAS 1.9L ENG, 2.1L ENG DIESEL 1.6L ENG



1 Radiator	82 068 121 253 A	2.0	d695.02
	83-92 068 121 253 E	2.0	417.70
Mount, Radiator Rubber			
Upper	82 R/L 443 121 273 E		11.17
Lower	82 R/L 803 121 273		12.68
Bracket, Lower Mount			
1982	R/L 068 121 359 A		d11.60
1983-91	R 025 121 360		32.65
	L 025 121 359		26.08
2 Duct, Air			
Side			
2WD	82 R 251 121 282		d14.70
	L 251 121 281		d13.40
	83-85 R 251 121 282 A		13.77
	L 251 121 281 A		13.80
	86-92 R 251 121 282 B		13.82
	L 251 121 281 B		13.82
4WD	R 251 121 282 A		13.77
	L 251 121 281 A		13.80
	251 121 283 B		6.18
3 Tank, Expansion			
	82 068 121 405 B	.3	d95.75
	83-85 068 121 405 D	.3	78.27
	86-92 025 121 403 B	.3	59.45
	025 121 312 B		12.40
Cap, Expansion Tank	82 068 121 405 A	.3	d41.00
Reservoir, Coolant	83-92 025 121 403	.3	30.85
4 Shroud Fan			
w/ A/C	025 121 205 A	#1.6	117.80
w/o A/C	82 068 121 207 A	#1.6	d128.95
	83-92 025 121 205	#1.6	117.80
5 Fan & Motor Assy			
w/ A/C	251 959 455 M	#1.6	852.57
w/o A/C	251 959 455 G	#1.6	376.92
#R&R Complete, w/Radiator Removed .3			



6 Pipe, Upper Radiator (b)	251 121 083 B	m	.9	d152.25
7 Pipe, Radiator Return				
2WD	82 251 121 399 B	m	.9	d69.60
	83-85 251 121 399 F	m	.9	d149.65
	86-92 251 121 399 M	m	.9	213.83
	251 121 399 L	m	.9	222.18
4WD				
8 Pipe, Radiator Feed				
2WD				
1982-85	251 121 397 F	m	.9	d149.65
1986-91				
To Ch 24H022956	251 121 397 H	m	.9	d94.95
From Ch 24H022957	251 121 397 M	m	.9	156.73
4WD	251 121 397 L	m	.9	222.18
	N 901 666 01		.9	d37.65
9 Hose, Lower Radiator (a) (b)				
10 Hose, Radiator to Cylinder Head				
1982	068 121 101 C	.9	d93.45	
1983-85	068 121 101 E	.9	d155.60	
1986-91 (a) (b)	443 121 107 A	.9	13.73	
11 Hose, Pump to Expansion Tank (b)				
	068 121 081	.9	d69.55	
12 Hose Return Pipe to Pump (b)				
(a) Cut to Fit	068 121 073 A	.9	d72.60	
(b) Order by Description				
Pump Assy, Water				
Gas				
1.9L Eng				

w/ A/C						
Man Strg	025 121 010 AX	m	2.9	R146.23		
Pwr Strg	025 121 010 AX	m	3.1	R146.23		
w/o A/C	025 121 010 AX	m	2.3	R146.23		
2.1L Eng						
w/ A/C						
Man Strg	025 121 010 CX	m	2.9	R104.27		
Pwr Strg	025 121 010 CX	m	3.1	R104.27		
w/o A/C	025 121 010 CX	m	2.3	R104.27		
Diesel	026 121 010 DX	m	2.3	R203.72		
Housing w/Impeller]						
Diesel	068 121 005 C			d117.20		
†Inclued w/Water Pump Assy						
Pulley, Pump						
Gas						
Front	025 121 031 A	m	.5	13.12		
Rear	025 121 031 B	m	.5	13.12		
Diesel	068 121 031	m	.5	d23.60		
Belt, Pump]	068 121 039 B		.9	7.53		
†Order by Application						

A/C REFRIGERANT CAPACITIES

A/C R-12 Refrigerant Capacity
 1980-82: 34 Ozs (2.12 Lbs)
 1983-84: 32-35 Ozs (2.0-2.18 Lbs)
 1985-87: 42-46 Ozs (2.62-2.87 Lbs)
 1988-90: 51 Ozs (3.18 Lbs)
 1991-92: 50 Ozs (3.12 Lbs)

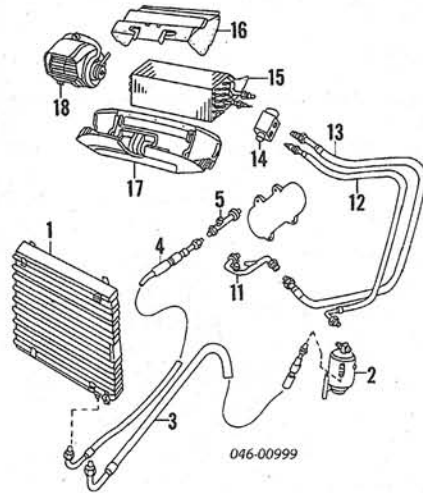
A/C /HEATER

Use Procedure Explanation 6 with the following text.

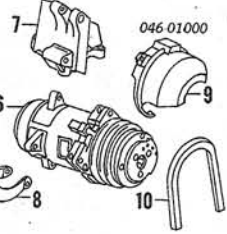
AIR CONDITIONING

Evacuate & Recharge System	m	1.4
Recover Refrigerant	m	.3

NOTE: R&R/R&R Does Not include recover, evacuate and recharge system.



1 Condenser	84-86 255 272 413 A	m	1.6	d354.94
	87-92 253 260 403	m	1.6	717.93
2 Receiver/Drier				
To Ch 24G075001	253 260 633 D	m	.7	d160.70
From Ch 24G075002	253 260 633 E	m	.7	140.47
Hose, Condenser]				
3 To Receiver Drier	84-92 253 260 710 A	m	1.0	325.40
4 To Comp	84-92 253 260 702 D	m	3.5	494.30
5 Pipe to Compressor]	253 260 701 B	m		109.70
†Order by Application				



6 Compressor Assy	84-92 253 260 808	m	2.3	670.24
Clutch, Magnetic]	84-92 253 260 811 A	m	1.5	356.90
†Inclued w/Compressor Assy				
7 Support, Compressor	025 260 881 C	m		384.08
8 Brace, Adjust	025 260 917	m		146.42
9 Cap, Compressor	253 260 877	m		21.98
10 Belt, Drive]	025 260 849 B		1.1	17.55
†Order by Application				
11 Pipe, Compressor]	253 260 708 G	m		136.58
†Order by Application				
12 Hose, Compressor				

To Expansion Valve	253 260 707 K	m		371.95
Hose, Drier (To Evaporator)	253 260 713 A	m		249.93
14 Valve, Expansion	84-92 253 260 109	m	2.7	43.80
15 Evaporator				
2WD	84-92 253 271 105 A	m	2.7	659.16
4WD	253 271 105 A	m	3.8	659.16
Housing, Evaporator				
16 Upper	253 260 125 C	m		d306.05
17 Lower	253 260 121 E 7JK	m	1.2	742.34
18 Motor, Blower	321 820 015 B	m	2.7	307.83

HEATER AIR COOLED

Box, Ventilation	251 259 105	m		d136.40
Exchanger, Heat	R 071 256 092 B	m	2.1	d373.40
	L 071 256 091 B	m	2.1	d393.60
Box, Heat Control]				
Man Trans	R 071 256 206 A	m	#.5	d97.30
	L 071 256 205 A	m	#.5	d94.85
Auto Trans	R 071 256 204 A	m	#.5	d121.90
	L 071 256 203 A	m	#.5	d102.95
#R&R Both .6				
Fan, Blower	251 819 015	m	3.4	179.58

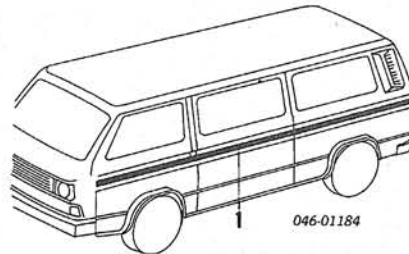
HEATER WATER COOLED

Box, Ventilation				
Upper	251 259 113 C 01C	m		173.07
Lower	251 259 109 D 01C	m		229.45
Exchanger, Heat	251 265 303 C	m	2.1	270.02
Fan, Blower				
Gas	251 819 015	m	3.4	179.58
Diesel	251 819 015	m	3.9	179.58

STRIFE TAPE

Install Front Hinge Pillar Stripe	R/L	.2
Install Front Door Stripe	R/L	.2
Install Front Lock Pillar Stripe	R/L	.1
Install Side Door Stripe	R/L	.2
Install Front Side Panel Stripe	R/L	.2
Install Rear Side Panel Stripe	R/L	.2
Install Rear Corner Side Panel Stripe	R/L	.2

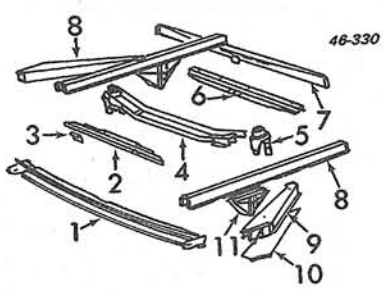
NOTE: Labor times are for installation only.



1 Tape, Stripe				
1980-83]	255 853 881	01C		d35.25
1984-91 (a)	255 853 431	1ZW		86.20
†10 Meter Roll, Order by Application				
(a) 2.5 Meter Roll, Order by Application				

FRAME/FLOOR

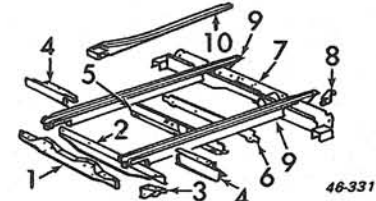
FRONT SECTION



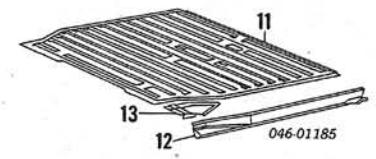
1 Crossmember Assy, Front				
2WD	251 803 671 D		6.5	235.87
4WD	251 803 671 C		6.5	235.87
2 Crossmember w/Hinges				
Spare Wheel Well	251 803 665			107.73
3 Hinge, Well Cover]	R/L 251 803 653			5.12
†Inclued w/Front Crossmember Assy				
4 Crossmember Assy, Front Suspension				
Upper				
2WD	251 803 139 C			443.55
4WD	251 803 139 C			443.55
5 Bracket, Spring]				
2WD	R 251 803 292 A			154.95
	L 251 803 291 A			154.95
4WD	R 251 803 292 C			154.95
	L 251 803 291 C			154.95
†Inclued w/Front Suspension Crossmember Assy				

6 Crossmember, Pedal Plate	251 803 123 C			138.08
7 Crossmember, Seat Box	80-83 251 803 161 B			d77.60
	84 251 803 161 D			d77.60
	85-92 251 803 161 E			104.65
8 Rail Assy, Front Side				
2WD	R 251 803 106 C	s	8.0	742.77
	L 251 803 105 C	s	8.0	726.80
4WD	R 251 803 106 B	s	8.0	d499.50
	L 251 803 105 B	s	8.0	d499.50
9 Outrigger, Upper]	R 251 803 126 A			157.03
	L 251 803 125 A			157.03
	R 251 803 154 A			62.30
	L 251 803 153 A			62.30
11 Bracket]	R 251 803 262 A			149.92
	L 251 803 261 A			149.92
†Inclued w/Front Side Rail Assy				

CENTER SECTION

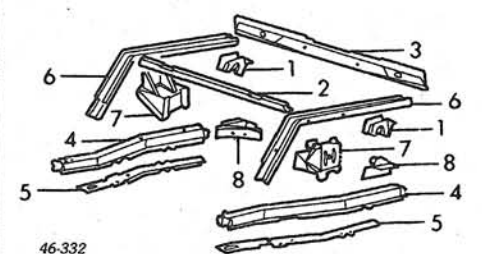


1 Crossmember, Strg Gear	251 803 931			110.83
2 Crossmember Assy, Front Suspension				
Lower	251 803 141			212.17
3 Bracket, Control Arm]	R/L 251 803 255			26.43
†Inclued w/Front Suspension Crossmember Assy				
4 Crossmember, Outer	R 251 803 234			62.12
	L 251 803 233			64.20
5 Crossmember, Front Inner				
2WD	80-84 251 803 131			d76.25
	85-92 251 803 131 B			81.17
4WD	251 803 131 D			125.67
6 Crossmember, Rear Inner				
To Ch 24D110000	251 803 227 A			d13.85
From Ch 24D110001	251 803 227 B			29.13
7 Crossmember, Rear Suspension				
2WD	80-82 251 803 179	m		d444.65
	83-84 251 803 179 A	m		d473.05
	85-92 251 803 179 C	m		701.00
4WD	251 803 179 B	m		585.28
8 Bracket, Trailing Arm]				
Mtg	R/L 251 803 194-3			11.17
†Inclued w/Center Side Rail Assy				
9 Rail Assy, Center Side	R 253 803 208		8.0	402.67
	L 253 803 207		8.0	311.02
10 Track, Sliding Door				
Lower	251 803 622 B		4.5	364.20



11 Plate, Center Floor				
1980-83	253 801 403 A			d234.05
1984-91	253 801 403 C			361.40
12 Rail, Center Floor	R/L 253 801 252-1			124.87
13 Extension, Floor	L 251 809 277			d17.65

REAR SECTION



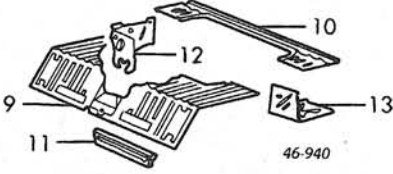
1 Bracket, Shock Absorber				
Upper	R 251 803 546			25.58
	L 251 803 545			28.85
2 Crossmember, Rear Floor (2)				
2WD	R/L 251 803 533			34.15
4WD	R/L 251 803 531			185.58
3 Crossmember, Rear	251 803 701 F		2.5	177.98
4 Rail, Rear Side				
2WD	80-82 R 251 803 118 C	s	#6.5	d70.05
	L 251 803 117 C	s	#6.5	d64.75
	83-92 R 251 803 118 A	s	#6.5	110.87
	L 251 803 117 A	s	#6.5	44.37
4WD	R 251 803 116 C	s	#6.5	441.63
	L 251 803 115 C	s	#6.5	441.63
†Includes Filler Plate				
5 Plate, Rail Filler	R 251 803 170 D			40.47
	L 251 803 169 D			40.47

VW VANAGON 1980-92

FRAME/FLOOR Cont'd

REAR SECTION Cont'd

6 Rail, Rear Floor	R/L 251 803 553	s #7.5	97.25
<i>#w/Necessary Bolted Parts Removed</i>			
7 Mount, Spring Rear			
2WD	R 251 803 572 F		143.53
	L 251 803 571 E		206.67
4WD	R 251 803 572 B		147.80
	L 251 803 571 B		167.93
8 Reinforcement	R 251 803 712		d11.95
	L 251 803 711		d10.95



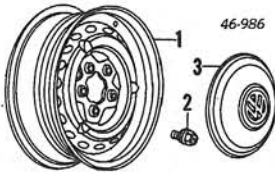
Plate, Rear Floor			
9 Front	253 801 551 A		579.70
10 Rear	251 813 231		171.87
Plate, Storage Compartment			
11 Center	251 801 611 A		19.50
12 Outer			
2WD	80-82 R 251 801 610		d43.05
	L 251 801 607 A		d46.20
	83-84 R 251 801 610 A		d43.05
	L 251 801 607 A		d46.20
	85-92 R 251 801 610 C		95.43
	L 251 801 607 C		108.97
4WD	R 251 801 610 C		95.43
	L 251 801 607 D		d40.45
13 Deflector, Air			
2WD	R 251 801 560		58.70
	L 251 801 559 A		57.28
4WD	R 251 801 560 A		105.50
	L 251 801 559 A		57.28

WHEEL

Use Procedure Explanation 10 with the following text.

STEEL WHEEL

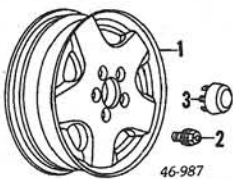
Refinish Wheel			.5
Add to R&I Spare Wheel & Tire Assy			.2



1 Wheel			
14x5-1/2"	211 601 027 H	.3	64.78
14x6"	251 601 027	.3	95.28
2 Nut, Lug			
Front Wheels	251 601 139		4.55
Rear Wheels	N 020 112 1		2.90
3 Cap, Hub			
Chrome	251 601 151 A		32.17
Plastic	251 601 151 B		d42.77
Cover, Wheel			
Chrome	255 601 149		d73.45
Silver Metallic	255 601 149 A 7ZV		33.92
Blue Metallic	255 601 149 A D5T		0.00
Black	255 601 149 B UY3		d83.95
Stem, Valve	839 601 361		1.60

ALLOY WHEEL

Add to R&I Spare Wheel & Tire Assy			.2
------------------------------------	--	--	----



1 Wheel	251 601 025 091	.3	387.98
2 Nut, Lug			
Front Wheels	255 601 139		7.60
Rear Wheels	255 601 143		4.28
3 Cap, Hub	251 601 171		13.68
Stem, Valve	839 601 361		1.60

FRONT SUSPENSION

Use Procedure Explanation 11 with the following text.

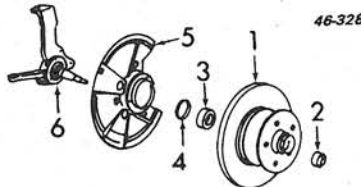
2WD

R&I Suspension (One Side)	R/Lm	2.0
O/H Suspension (Includes R&I)		
One Side	R/Lm	4.5
Both Sides		8.1
Adjust Four Wheel Alignment	m	1.9
Bleed Brake System	m	.3

NOTE 1: R&I/R&R or O/H Does Not include alignment or bleed brake system.

NOTE 2: Refer to Special Cautions Section at the beginning of this vehicle text.

NOTE 3: All Parts in this section are included in overhaul unless noted otherwise.



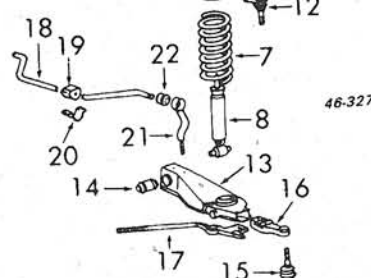
1 Hub & Rotor			
80-85 R/L	251 407 617 A	m #1.1	d159.35
86-92 R/L	251 407 617 K	m #1.1	117.13
2 Bearing, Outer			
To Ch 24C24072	R/L 211 405 645 D	m #1.1	14.20
From Ch 24C24073	R/L 251 405 645 B	m #1.1	27.42
3 Bearing, Inner	R/L 096 323 981	m #1.1	33.27
4 Seal, Oil			
To Ch 24A02412	R/L 281 407 641 C	m #1.1	d12.90
From Ch 24A02413	R/L 251 407 641 A	m #1.1	1.13
<i>#R&R One Side Complete, Both Sides 2.0</i>			
5 Shield, Splash			
80-81 R/L	251 407 343	m #2	d14.55
82-85 R/L	291 407 343	m #2	42.97
86-92 R	251 407 340 A	m #2	46.17
L	251 407 339 A	m #2	46.17

<i>#w/Hub & Rotor & Caliper Removed</i>			
Caliper, Brake Less Pads			
ATE Brand	80-85 R/L 251 615 108-7	m #5	d349.85
	86-88 R/L N.A.	m #5	0.00
	89-91 R 251 615 124 C	m #5	544.00
	L 251 615 123 C	m #5	428.65
Girling Brand	80-85 R 251 615 108 A	m #5	267.93
	L 251 615 107 A	m #5	d267.93
	86-91 R 251 615 124 D	m #5	267.93
	L 251 615 123 D	m #5	267.93

<i>#Both Sides .8, w/Rotor Removed .2</i>			
Carrier, Caliper			
1986-88	R/L 251 615 125 C	m #	262.25
1989-91			
ATE Brand	R/L 251 615 125 D	m #	144.75
Girling Brand	R/L 251 615 125 C	m #	262.25
<i>#Included in R&R Caliper</i>			
Hose, Brake	R/L 251 611 775 A	m #3	d73.05

<i>#R&R Each Additional .2, w/Caliper Removed .2</i>			
6 Knuckle, Steering (a)			
1980-85			
Man Strg	R 251 407 312 AE	m #2.4	d597.05
	L 251 407 311 AE	m #2.4	d597.05
	R 251 407 312 AF	m #2.4	d597.05
	L 251 407 311 AF	m #2.4	d568.00
1986-92			
Man Strg	R 251 407 312 AG	m #2.4	577.93
	L 251 407 311 AG	m #2.4	577.93
	R 251 407 312 AQ	m #2.4	577.93
	L 251 407 311 AH	m #2.4	589.00

<i>#Includes R&R Hub & Rotor, Bearings, Seals, Carrier & Splash Shield</i>			
--	--	--	--



7 Spring, Coil (a)	R/L 251 411 105 A 952	m #1.8	192.40
<i>(a) Order by Application</i>			
<i>#Both Sides 3.4, Includes R&R Shock Absorber</i>			
8 Absorber, Shock	R/L 251 413 031 J	m #8	157.57
<i>#Both Sides 1.4</i>			
9 Arm, Upper Control	R/L 251 407 047 B	m #1.3	142.97
10 Shaft, Upper Arm	R/L 251 407 053 A	m #1.3	14.25
11 Bushing, Upper Arm	R/L 251 407 077	m #1.3	63.57
<i>#R&R One Side Complete, Both Sides 2.4</i>			

12 Ball Joint, Upper	R/L 251 407 361	m #1.0	149.48
<i>#Included in R&R Upper Control Arm</i>			
13 Arm, Lower Control			
1980-84	R 251 407 154 B	m #2.5	387.40
	L 251 407 153 B	m #2.5	420.40
1985-91	R 251 407 154 F	m #2.5	550.60
	L 251 407 153 F	m #2.5	550.60
14 Bushing, Lower Arm	R/L 251 407 183	m #2.5	22.38
<i>#R&R Complete, w/Knuckle Removed 1.8</i>			
15 Ball Joint, Lower	R/L 251 407 187	m #1.5	80.52
<i>#Included in R&R Lower Control Arm</i>			
16 Retainer, Ball Joint	R 251 407 178	m #	d159.95
	L 251 407 177	m #	d64.00
<i>#Included in R&R Lower Control Arm</i>			
17 Rod, Radius	80-84 R/L 251 407 060-59	m #9	d198.05
	85-92 R/L 251 407 059 A	m #9	62.83
Bushing, Radius Rod			
Outer	R 251 407 175	m #9	12.18
	L 251 407 179	m #9	13.38
Inner	R/L 251 407 175	m #9	12.18
<i>#R&R One Side Complete, w/Control Arm Removed .4</i>			
18 Bar, Stabilizer			
19mm	251 411 025 C	m #9	130.75
21mm	251 411 025	m #9	153.20
19 Bushing, Stabilizer	R/L 251 411 041	m #	d6.15
1980-84			
1985-92	R/L 251 411 041 B	m #	9.02
	R/L 251 411 041 C	m #	7.07
20 Bracket, Bushing	80-84 R/L 251 411 063	m #	4.50
	85-91 R/L 251 411 063 A	m #	4.37
<i>#R&R Complete, Not Included in O/H</i>			
21 Link, Stabilizer	80-84 R/L 251 411 051	m #4	113.65
	85-92 R/L 251 411 051 A	m #4	110.72
22 Bushing, Link	R/L 251 411 045	m #	3.42
<i>#Deduct .2 w/Lower Control Arm or Stabilizer Bar Removed, Not Included in O/H</i>			

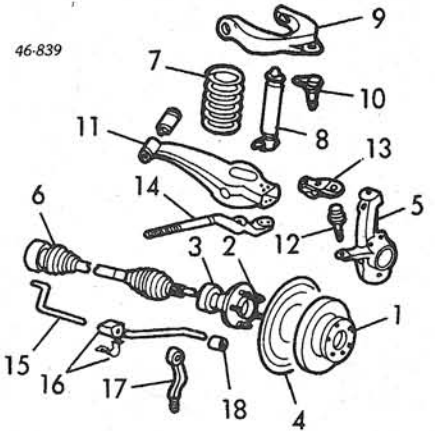
4WD SYNCRO

R&I Suspension (One Side)	R/Lm	2.0
O/H Suspension (Includes R&I)		
One Side	R/Lm	4.0
Both Sides		7.6
Adjust Four Wheel Alignment	m	1.9
Bleed Brake System	m	.3

NOTE 1: R&I/R&R or O/H Does Not include alignment or bleed brake system.

NOTE 2: Refer to Special Cautions Section at the beginning of this vehicle text.

NOTE 3: All Parts in this section are included in overhaul unless noted otherwise.



1 Rotor, Brake	R/L 251 407 615	m #6	110.00
<i>#Both Sides 1.0</i>			
2 Hub, Rotor	R/L 251 407 613 A	m #2.4	449.48
3 Bearing	R/L 251 407 625	m #2.4	114.40
Seal	R/L 251 407 629	m #2.4	22.08
<i>#R&R One Side Complete, Includes R&R Rotor, Steering Knuckle, Splash Shield</i>			
4 Shield, Splash	R 251 407 344 A	m #2	87.18
	L 251 407 343 D	m #2	61.08
<i>#w/Hub, Rotor & Caliper Removed</i>			
Caliper, Brake Less Pads			
Girling Brand	R 251 615 124 D	m #5	267.93
	L 251 615 123 D	m #5	267.93
ATE Brand	R 251 615 124 C	m #5	544.00
	L 251 615 123 C	m #5	428.65
<i>#R&R Both Sides .8, w/Rotor Removed .2</i>			
Carrier, Caliper			
Girling Brand	R/L 251 615 125 C	m	262.25
ATE Brand	R/L 251 615 125 D	m	144.75
Hose, Brake	R/L 251 611 775 B	m #3	56.43
<i>#R&R Each Additional .2, w/Caliper Removed .2</i>			
5 Knuckle, Steering	R 251 407 312 AT	m #2.4	785.12
	L 251 407 311 AT	m #2.4	749.14
<i>#Includes R&R Hub, Rotor, Bearings, Seals, Carrier & Splash Shield</i>			
6 Shaft Assy, Drive			

Table listing various vehicle parts including Spring, Coil; Absorber, Shock; Arm, Upper Control; Ball Joint, Upper; Rod, Radius; Bar, Stabilizer; Link, Stabilizer; Bushing, Link. Includes part numbers, descriptions, and prices.

FRONT DRIVE AXLE

Table listing Front Drive Axle components: R&I Transaxle Assy, R&I Axle Shaft Assy. Includes part numbers and prices.

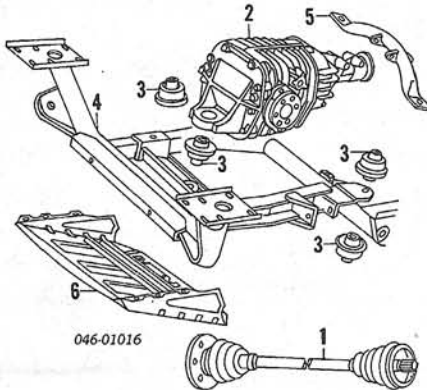


Table listing Front Drive Axle components: Shaft Assy, Axle; Differential Assy, Front Axle; Mount, Transaxle (6); Carrier, Axle Assy; Support, Upper; Plate, Front Protective. Includes part numbers and prices.

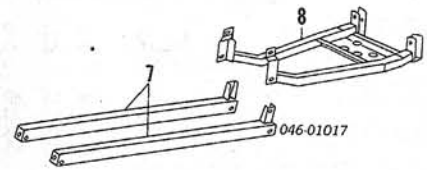
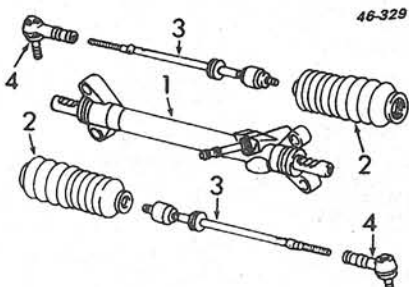


Table listing Front Drive Axle components: Plate, Center Protective; Plate, Rear Protective. Includes part numbers and prices.

FRONT STEERING LINKAGE/GEAR

NOTE: R&R Does Not include adjust wheel alignment.

Table listing Steering components: Gear, Steering; Boot; Rod Assy, Tie; End, Tie Rod. Includes part numbers, descriptions, and prices.



STEERING PUMP

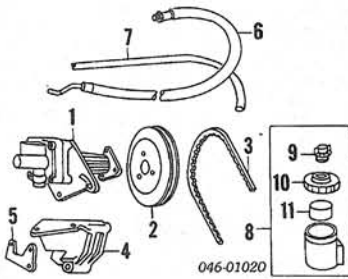


Table listing Steering Pump components: Pump; Pulley; Belt, Drive; Brkt, Pump Outer; Brkt, Pump Inner; Hose, Pressure; Hose, Return; Reservoir Assy; Filter, Reservoir. Includes part numbers and prices.

STEERING WHEEL/COLUMN

Table listing Steering Wheel/Column components: R&I Steering Column; O/H Steering Column (Includes R&I). Includes part numbers and prices.

NOTE: All Parts in this section are included in overhaul unless noted otherwise.

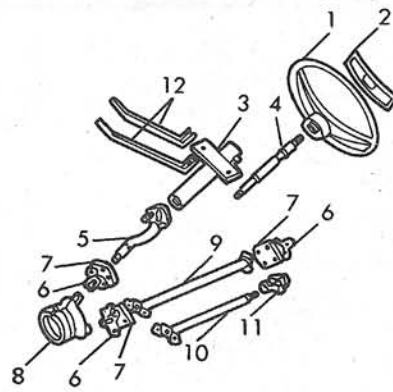


Table listing Steering Wheel/Column components: Wheel, Steering; Cap, Wheel. Includes part numbers, descriptions, and prices.

Table listing various vehicle components including Man Strg, Pwr Strg, Ornament, Cap; Cover, Lock Housing; Cyl & Keys, Ignition; Switch, Ignition; Jacket, Column; Shaft, Strg Upper; Shaft, Strg Lower; Flange, Lower Shaft (4); Coupling, Lower Shaft (3); Box, Strg Shaft Relay; Relay Box (To Gear); Man Strg; Pwr Strg; U-Joint; Strut, Bracket. Includes part numbers, descriptions, and prices.

WINDSHIELD

Use Procedure Explanation 13 with the following text.



Table listing Windshield components: Glass, Windshield; Weatherstrip; Moulding, Reveal; Sleeve, Moulding; Visor, Sun; Blade, Wiper; Arm, Wiper; Rod, Connecting; Motor, Wiper; Pump, Washer; Jar, Washer; Nozzle, Spray. Includes part numbers, descriptions, and prices.

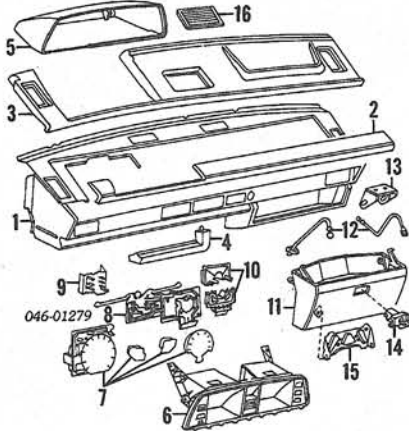
INSTRUMENT PANEL

Use Procedure Explanation 14 with the following text.

Table listing Instrument Panel components: NOTE 1: Refer to Special Cautions section at the beginning of this vehicle text. NOTE 2: All Parts in this section are included in R&R Instrument Panel complete unless noted otherwise.

VW VANAGON 1980-92

INSTRUMENT PANEL Cont'd



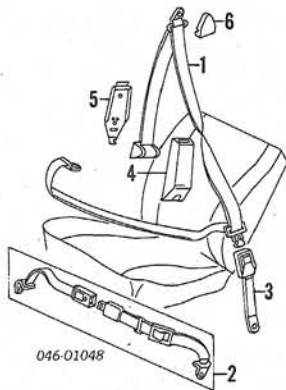
1 Panel, Instrument (a)			
1980-85			
w/Safety Pad	251 805 103 AC 043	m #5.5	643.25
w/o Safety Pad	251 805 103 AB 043	m 6.5	633.53
1986-91			
w/Safety Pad	251 805 103 AC 043	m #5.5	643.25
w/o Safety Pad	255 805 103 B 043	m 5.5	633.53
<i>#1985 to 1987, Add 4.0 to Modify & Fit Safety Pad & Heater</i>			
Hoses			
Pad, Panel Safety (a)			
2 1980-85	251 857 171 01C		d289.70
3 1986-92	255 857 171 5BL		1279.05
4 Trim Cover, Switch (a)			
5 Cover, Inst Housing (a)			
<i>(a) Order by Trim Code</i>			
6 Housing, Instrument	251 919 053		281.68
7 Cluster, Instrument			
<i>#Order Components by Application</i>			
8 Foil, Printed Circuit	251 919 059 J	m	108.53
9 Bracket, Mount	251 919 066 D		8.75
10 Bracket, Clock			
Upper 255 919 075 C 9.78			
Lower 255 919 075 B 9.78			
11 Glove Box/Door (a)			
<i>(a) Order by Trim Code</i>			
R 251 857 110			d1.90
L 251 857 109			2.60
13 Latch	251 857 133		d2.65
14 Lock w/Keys	133 857 131 B	#.4	72.15
<i>#Does Not Include Recode</i>			
15 Bracket, Glove Box	251 857 141 A		d8.15
Radio w/Cassette	357 035 180 A	.8	d570.00
Speaker, Radio	811 035 401	.5	d59.25
<i>#Order by Application</i>			
16 Cover & Grille, Speaker (a)	251 857 227 01C	.2	19.57
<i>(a) Order by Application</i>			

SEAT

R&I Fpnt Seat One Side	R/L	.3	
Adjuster, Guide			
Driver	R 251 881 210	#.5	110.70
	L 211 881 209 H	#.5	110.88
Passenger	R 251 881 210	#.5	110.70
	L 211 881 209 H	#.5	110.88
<i>#R&R Both .8</i>			

SEAT BELTS

FRONT



1 Belt, Front Seat			
R	251 857 806 K	.4	85.16
L	251 857 805 K	.4	85.16

2 Belt, Lap	R/L	245 857 684 C	.2	39.89
3 Buckle, Seat Belt				
USA				
w/Swivel Seat	R	251 857 777 M	.2	40.53
	L	251 857 777 N	.2	74.23
w/o Swivel Seat	R	251 857 777 K	.2	47.78
	L	251 857 777 L	.2	86.62
Canada				
w/Swivel Seat	R/L	251 857 777 M	.2	40.53
w/o Swivel Seat	R/L	251 857 777 K	.2	47.78
4 Cover, Seat Belt		255 857 827 01C		14.35
<i>#Order by Application</i>				
5 Retainer, Cover		255 857 835		20.93
6 Plate, Seat Belt Trim		357 857 719 01C		1.40

REAR

Belt, Outer (a)	R	857 710 253 H	.3	0.00
	L	253 857 710 J	.3	39.89
Belt, Center (a)		253 857 710 J	.3	39.89
Buckle, Belt Outer (a)		253 857 749 D	.2	16.99
Buckle, Belt Center (a)		253 857 744 A	.2	27.72
<i>(a) Order by Application</i>				

FRONT DOOR

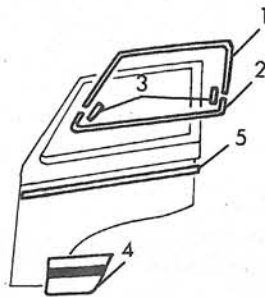
Use Procedure Explanations 16 and 28 with the following text.

SHEET METAL

Refinish Door Outside	R/L	2.5		
Add for Jamb	R/L	.5		
Add for Jamb & Interior	R/L	1.0		
Refinish Hinge	R/L	.2		
Refinish Rear View Mirror	R/L	.5		
R&I Door Assy	R/L	.6		
Add to R&R Door Shell				
w/Pwr Windows	R/L	.3		
w/Pwr Mirror	R/L	.2		
w/Pwr Locks	R/L	.3		
w/Lower Trim Mldg	R/L	.3		
Shell Assy, Door	R	251 831 052 B	3.5	532.14
	L	251 831 051 B	3.5	532.14
Hinge, Half				
Upper	R/L	251 831 401		38.28
Lower	R/L	251 831 401		38.28
<i>#Included w/Door Shell Assy</i>				

EXTERIOR TRIM

Refinish Lower Trim Moulding	R/L	.5	
------------------------------	-----	----	--

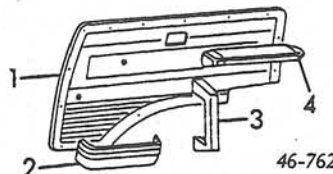


46-923

Moulding, Window Frame				
1 Upper	R/L	255 853 326-5	#.5	38.10
2 Lower	R	255 853 284	#.5	d23.32
	L	255 853 283	#.5	d22.20
3 Cover, Joint (4)	R/L	171 853 349	#.5	3.48
<i>#R&R One Side Complete</i>				
4 Moulding, Lower Trim (P)				
	R	255 853 954 A GRU	.3	208.80
	L	255 853 953 A GRU	.3	183.72
<i>(P) Paint to Match</i>				
5 Stripe Tape-See Stripe Tape Section				
Mirror, Rear View				
Manual				
Right				
USA		251 857 514 G	.3	143.92
Canada		N.A.	.3	0.00
Left		251 857 513	.3	48.93
Power (Heated) (P)	R	251 857 514 F	#.4	352.67
	L	251 857 513 B	#.4	356.77
<i>(P) Paint to Match</i>				
<i>#w/Trim Panel Removed</i>				

INTERIOR TRIM

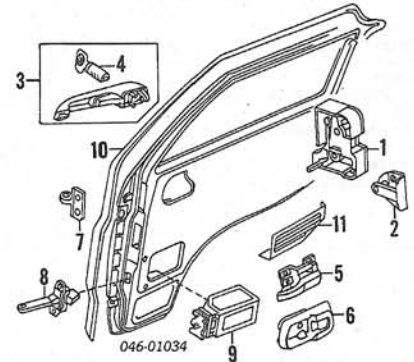
R&I Trim Panel	R/L	.4	
----------------	-----	----	--



46-762

1 Panel, Trim (a)				
Standard				
	R	251 867 016 5BL	.5	d138.55
	L	251 867 015 5BL	.5	d138.55
Camper				
w/Pwr Windows	R	253 867 016 B UG7	.6	d184.80
	L	253 867 015 B UG7	.6	d197.95
w/o Pwr Windows	R	253 867 016 H UG7	.5	d197.95
	L	253 867 015 G UG7	.5	197.95
Vanagon				
	R	255 867 016 M 3BX	.5	d208.60
	L	255 867 015 M 3BX	.5	d208.60
GL Series				
	R	255 867 016 N QG9	.5	d137.10
	L	255 867 015 N QG9	.5	d197.95
2 Tray (a)	R/L	281 867 133 01C	#.2	38.87
<i>#w/Trim Panel Removed</i>				
3 Handle (a)	R/L	251 867 161 01C	.2	10.45
4 Armrest (a)	R/L	255 867 157 041	.2	121.97
<i>(a) Order by Trim Code</i>				

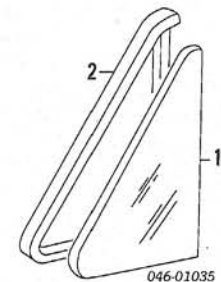
HARDWARE



046-01034

1 Latch				
Man Locks				
	R	251 837 016 A	#.3	71.08
	L	251 837 015 B	#.3	71.08
Pwr Locks				
	R	251 837 016 B	#.4	71.08
	L	251 837 015 B	#.4	71.08
Actuator, Power Lock				
	R/L	255 959 781	#.3	95.10
<i>#w/Trim Panel Removed</i>				
2 Striker, Latch				
	R/L	251 837 295 B	.2	26.23
Pin, Lock				
	80-81	R/L 251 837 035	.2	d7.35
3 Handle Assy				
	R/L	251 837 205	.3	99.35
4 Cylinder w/Key				
	R/L	251 837 217	#.3	58.42
<i>#Included w/Handle Assy</i>				
<i>#Does Not Include Recode</i>				
5 Handle, Inner				
	R	171 837 020 041		d18.57
	L	111 837 019 H		d33.35
6 Plate, Inner Handle				
	R/L	171 837 235 01Z		6.25
<i>#Order by Application</i>				
7 Hinge-See Door Shell				
	R/L	321 831 421		7.85
Pin, Hinge				
	R/L	251 837 249	#.2	51.92
8 Strap, Check				
	R/L	251 837 267		4.95
9 Boot, Check Strap				
<i>#w/Trim Panel Removed</i>				
10 Weatherstrip				
	R/L	251 837 911 B	.8	85.05
11 Vent, Side				
	R	251 837 890 01C		38.00
	L	251 837 889 01C		38.00
<i>#Order by Application</i>				

STATIONARY VENT GLASS



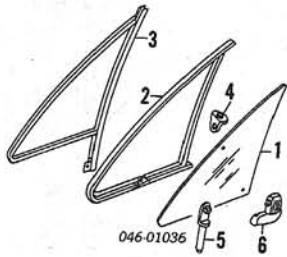
046-01035

1 Glass, Front Vent				
Volkswagen				
	R/L	251 845 252-1	#.5	55.72
	R/L	253 845 252-1	#.5	78.55
Clear				
Tint				
NAGS				
	R/L	FV02141-2GTN	#.5	161.40
	R/L	251 837 625	#.5	32.55
2 Weatherstrip				
<i>#R&R One Side Complete w/Trim Panel Removed</i>				

MOVEABLE VENT GLASS

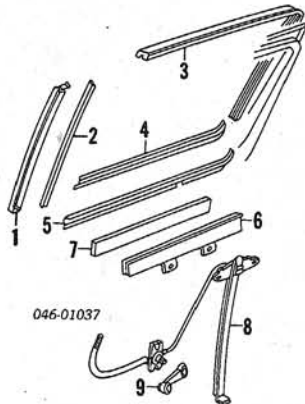
Illustration Located in Next Column

1 Glass Assy, Front Vent				
---------------------------------	--	--	--	--



Volkswagen Clear	R 251 845 248 A	#.5	d129.20
	L 251 845 247 A	#.5	d129.20
Tint	R 253 845 248 A	#.5	d129.00
	L 251 845 255	#.5	54.87
NAGS Green	R FV02139GTN	#.5	157.65
	L FV02140GTN	#.5	157.65
2 Weatherstrip	R/L 255 837 626-5	#.5	41.10
*R&R One Side Complete w/Trim Panel Removed			
3 Frame	R/L 251 837 406-5	#1.5	161.17
*Includes R&R Vent Glass & Weatherstrip			
4 Pivot, Upper	R/L 251 837 616-5		33.43
5 Pivot, Lower	R/L 251 837 619 A		34.28
*Included w/Volkswagen Front Vent Glass Assy			
6 Handle	R/L 171 837 658-7	.2	87.38

GLASS & PARTS



Glass, Front Door Volkswagen Clear	R/L 251 845 202-1	1.0	103.93
Tint	R 253 845 202	1.0	110.83
	L 253 845 201	1.0	118.98
NAGS Clear	R/L FD02143-4CLN	1.0	0.00
Green	R/L FD02143-4GTN	1.0	164.35
1 Guide, Front	R/L 251 837 410-09	1.0	62.42
2 Run, Front	R/L 171 837 433 A	1.0	29.07
3 Run, Upper & Rear Standard	R/L 281 837 709	#.3	80.55
Deluxe, GL	R/L 255 837 709	#.3	80.55
4 W/Strip, Belt Outer Standard	R/L 251 837 704-3	#.2	43.22
Deluxe, GL	R/L 255 837 704-3	#.2	43.22
*w/Glass Removed or Dropped for Access			
5 W/Strip, Belt Inner	R/L 251 837 703-4	#.2	43.22
*w/Trim Panel Removed			
6 Channel, Lift	R/L 281 837 571	#1.0	28.90
7 Gasket, Lift Channel	R/L 831 837 565	#1.0	3.30
*R&R Complete w/Glass			
8 Regulator Manual	R 251 837 502 A	#.6	134.75
	L 251 837 501 A	#.6	134.75
Power	R/L 251 837 462-1	#.8	148.83
*w/Trim Panel Removed			
9 Handle, Regulator	R/L 321 837 581 A 01C	.2	25.93
*Order by Application			
Motor, Regulator	R/L 251 959 802-1	#.2	186.53
*w/Regulator Removed			

SIDE DOOR

Use Procedure Explanations 16 and 28 with the following text.

SHEET METAL

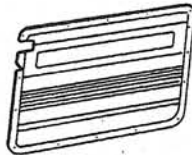
Refinish Door Outside	2.6
Add for Jamb & Interior	1.0
Refinish Hinge	.2
Refinish Lower Trim Moulding	.8
R&I Door Assy	1.0
Add to R&R Door Shell To Drill for & Install Lower Trim Moulding	.7
Shell, Door	

w/Window Opening 1980-84	253 843 106	4.8	d556.00
1985-91	253 843 106 E	4.8	585.75
w/o Window Opening	251 843 106 H	4.0	628.35

EXTERIOR TRIM

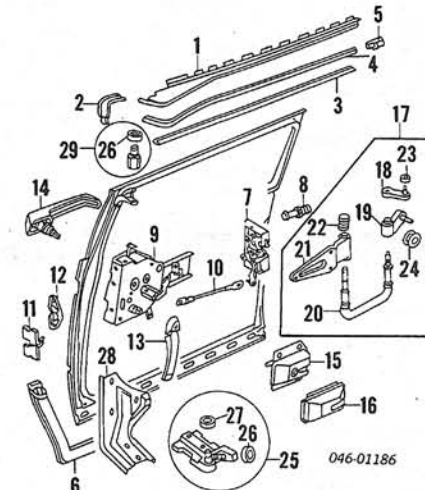
Moulding, Lower Trim (P)	255 853 964 B GRU	.4	649.63
*(P) Paint to Match			
Stripe Tape-See Stripe Tape Section			

INTERIOR TRIM



Panel, Trim (a) Standard	251 867 028 B	.5	d88.75
w/Protect Strip	255 867 028 C 6RL	.5	d248.30
w/o Protect Strip Camper	253 867 028 E UG7	.5	d242.00
Vanagon GL Series	255 867 028 E 6RL	.5	d242.00
	255 867 028 D QG9	.5	d242.00
*(a) Order by Trim Code & Application			

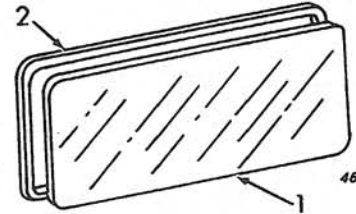
HARDWARE



1 Track, Upper	251 809 902	#5.0	118.90
2 Plate, Guide	251 809 910		3.15
3 Edge, Protect	251 843 178		19.68
*Cut to Fit			
4 Beading, Upper Track	253 843 196 A 581	#5.0	26.37
*Order by Application			
*w/Headliner Removed, R&R Complete			
5 Cap, Beading End	255 843 188 A	#1.2	1.95
6 Weatherstrip, Lower	251 843 792 B		216.55
*w/Door Removed .6			
7 Latch, Rear	80-84 253 843 604		d126.50
	85-92 251 843 604 B		24.90
8 Striker, Rear Latch	80-84 211 843 636 B	.2	38.93
	85-92 251 843 636	.2	11.25
Mounting, Striker	251 843 624		63.52
9 Latch, Front	80-84 253 843 654	#.4	d170.22
	85-90 251 843 654 D	#.4	198.02
Actuator, Power Lock	255 959 783 A	#.3	80.90
*w/Trim Panel Removed			
10 Rod, Actuator	80-84 251 843 721		12.85
	85-92 251 843 721 B		12.75
11 Striker, Front Latch	80-84 253 843 660 A		26.70
	85-92 251 843 660 B		51.60
12 Plate, Retaining	251 843 668		11.20
13 Handle, Inside	253 843 642 1BG		58.08
*Order by Application			
14 Handle Assy, Outside	80-84 251 843 704	#.2	d74.50
	85-92 251 843 704 E	#.2	74.98
*w/Trim Panel Removed			
Cylinder & Key	251 843 709	#.3	61.30
*Included w/Outside Handle Assy			
*w/Handle Removed, Does Not Include Recode			
15 Catch	251 843 444 A		56.70
16 Cover, Catch	255 843 698 A 01C		11.00
17 Hinge Assy	80-84 251 843 336 A	.8	d260.90
	85-92 251 843 336 B	.8	559.28
18 Piece, Guide	80-84 251 843 368		43.05
	85-92 251 843 376		69.47
19 Support, Hinge	80-84 251 843 342		d92.40
	85-92 251 843 342 A		135.28
20 U-Hinge	80-84 251 843 351 A		152.95
	85-92 251 843 351 B		238.02
*Included w/Hinge Assy			
21 Housing, Hinge	80-84 251 843 388		d65.95

22 Spring, Hinge	85-92 251 843 388 A		96.48
	80-84 211 843 395 B		36.20
	85-92 251 843 354		11.45
23 Roller	80-84 251 843 361		d63.50
	85-92 251 843 423 A		29.53
	251 843 361 B		74.53
24 Roller Guide, Roller Lower	251 843 406 A		179.68
26 Roller	251 843 419		60.80
27 Roller, Lower	251 843 425 A		18.68
28 Support, Lower Guide	251 843 412	.5	48.80
29 Guide, Roller	251 843 436 A		58.30

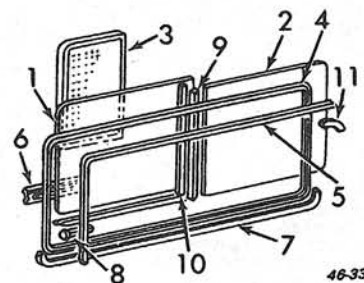
GLASS & PARTS STATIONARY



1 Glass, Sliding Door Volkswagen Clear	253 845 302	1.0	113.48
Tint	253 845 302 A	1.0	192.67
NAGS Clear	FD05263CLN	1.0	0.00
Green	FD05263GTN	1.0	0.00
2 Weatherstrip w/Mldg	255 845 322	#1.0	91.97
w/o Mldg	253 845 322	#1.0	91.97
*R&R Complete w/Glass, From 1986, Weatherstrip must be Replaced			
Moulding, Reveal	80 255 853 305		22.32
	81-92 255 853 345 A		28.80
*Cut to Fit			
Sleeve, Mldg Joint	80 171 853 339 A		2.57
	81-92 311 853 309 B		d3.48

GLASS & PARTS MOVEABLE

R&I Glass Assy		1.0
O/H Glass Assy (Includes R&I)		1.4



Window Assy, Sliding Door (a) Volkswagen w/Screen Clear	80-84 253 847 712 B 908	1.4	d679.00
	85 253 847 712 H 908	1.4	d646.00
Tint	80-84 253 847 712 D 908	1.4	d706.00
	85-92 253 847 712 J 908	1.4	d743.00
w/o Screen Clear	80-84 253 847 712 908	1.4	d929.11
	85 253 847 712 F 908	1.4	d951.41
Tint	80-84 253 847 712 C 908	1.4	d706.00
	85-92 253 847 712 G 908	1.4	d706.00
*(a) Order by Color Code			
Glass, Sliding Door (Moveable)			
Volkswagen w/Screen			
1 Front Clear	253 845 303 D	.8	91.50
Tint	253 845 303 E	.8	110.83
2 Rear Clear	80-84 253 845 301 G	.8	48.25
	85 253 845 302 F	.8	44.13
Tint	80-84 253 845 301 H	.8	70.35
	85-92 253 845 302 G	.8	70.35
w/o Screen Front Clear	253 845 303	.8	70.23
Tint	253 845 303 C	.8	91.50
Rear Clear	80-84 253 845 301 A	.8	48.25
	85 253 845 302 D	.8	44.13
Tint	80-84 253 845 301 C	.8	70.35
	85-92 253 845 302 E	.8	70.35
NAGS w/Screen Front Clear	FD05265CLN	.8	0.00
Green	FD05265GTN	.8	0.00
Rear			

VW VANAGON 1980-92

SIDE DOOR Cont'd

GLASS & PARTS

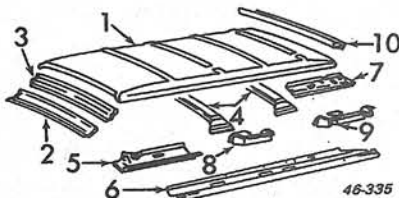
MOVEABLE Cont'd

Clear	84-80	FD05268CLN	.8	0.00
	85	FD05267CLN	.8	0.00
Green	84-80	FD05268GTN	.8	0.00
	85	FD05267GTN	.8	0.00
<i>w/o Screen</i>				
<i>Front</i>				
Clear		FD05264CLN	.8	0.00
Green		FD05264GTN	.8	0.00
<i>Rear</i>				
Clear		FD05266CLN	.8	0.00
Green		FD05266GTN	.8	0.00
3 Screen		253 847 750		d57.80
4 Frame	(a)	80-84 253 847 716 908		97.67
		85-92 253 847 716 A 908		265.03
<i>(a) Order by Color Code</i>				
5 Guide, Frame		281 847 721		35.67
6 Runner, Slotted				
w/Screen		253 847 730 E 908		76.25
w/o Screen		253 847 730 D 908		49.53
7 Weatherstrip, Lower				
w/Mldg	80-84	255 845 321		91.97
	85-92	255 845 322		91.97
w/o Mldg	80-84	253 845 321		91.97
	85-92	253 845 322		91.97
8 Guide, Lower		253 847 717 E 908		61.72
9 Channel, Division	(a)	253 847 703 01C		24.17
<i>(a) Order by Color Code</i>				
10 Weatherstrip, Channel		253 847 173 B		11.15
11 Stop		221 845 349		1.50
<i>¶Included w/Window Assy</i>				
Moulding, Reveal	80	255 853 305		22.32
	81-92	255 853 345 A		28.80
Sleeve, Mldg Joint	80	171 853 339 A		2.57
	81-92	311 853 309 B		d3.48

ROOF

Use Procedure Explanations 17 and 28 with the following text.

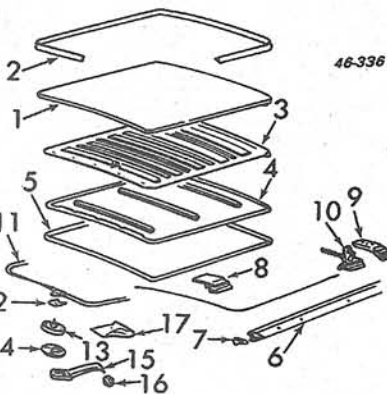
Refinish Roof Outside	5.0
Add for Underside	2.2



1 Panel, Roof				
w/Sunroof	253 817 111 C		27.5	d1195.00
w/o Sunroof	251 817 111 C		25.0	1136.48
Moulding, Top	251 853 707 D 1BG		.4	41.50
<i>¶1340mm, Cut to Fit</i>				
Sleeve, Center Cover	R/L 251 853 713 1BG			d2.95
2 Header, Windshield-See Front Body Section				
3 Reinf, Header-See Front Body Section				
<i>Bow, Roof</i>				
w/Sunroof				
Front	253 817 351 A	1.0		d98.67
Rear	253 817 355 A	1.0		d274.85
w/o Sunroof	251 817 355 A	1.0		144.15
Rail, Roof Side				
w/o Sunroof				
5 Front	R 251 817 518	1.0		d59.90
	L 251 817 517	1.0		d52.78
6 Center	R 251 817 558 B	2.5		260.38
	L 251 817 557	2.5		d218.00
7 Rear	R/L 251 817 340-39	1.0		d32.12
8 Frame, Roof Inner	253 817 401			d925.00
9 Reinf, Side Rail				
w/o Sunroof				
Front	R/L 251 817 306-5			d45.88
Rear	R/L 251 817 307			d1.40
<i>Reinf, Inner Frame</i>				
w/Sunroof				
Front	253 817 137			d41.33
Side	R/L 253 817 464-3			d98.67
Rear	R/L 253 817 308-7			d52.78
10 Header, Rear				
w/o Sunroof	251 817 565 A			172.22

SUNROOF

Refinish Sliding Panel	1.5
O/H Sunroof	#3.6
<i>¶Includes Necessary Adjustments</i>	
Adjust Sliding Panel	.6



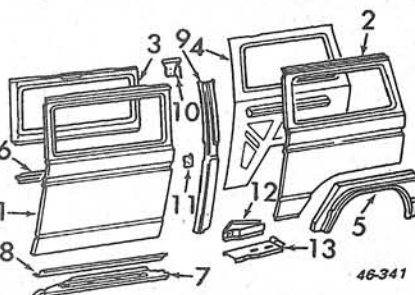
1 Panel, Sliding	253 877 071	.8	862.06	
2 Weatherstrip	253 877 223	.5	208.58	
3 Frame, Lining	253 877 259		198.00	
4 Lining, Panel	253 877 505 90T		d398.70	
5 Beading, Lining	253 877 349 581		d46.35	
<i>¶Order by Color Code</i>				
6 Rail, Side Guide	R/L 253 877 356-5	#2.6	368.12	
<i>#R&R Both 3,4, Includes Adjust Cables</i>				
7 Gasket, Rail	R 253 877 366		10.22	
	L 253 877 365		9.58	
8 Guide, Front	253 877 481		11.73	
9 Guide, Rear	253 877 541		3.60	
10 Cable & Guide	R/L 253 877 306-5	#2.6	178.28	
<i>#R&R Both 3,4, Includes Adjustments</i>				
11 Rail, Front Guide	253 877 361		396.47	
12 Cover, Front Rail	253 817 391		10.37	
13 Regulator	241 877 403	.6	92.98	
14 Cover, Regulator	313 877 465 581		4.58	
15 Handle Assy, Regulator	253 877 453 581		29.13	
16 Knob, Handle	253 877 457 581		d2.90	
17 Plate, Finger	117 877 433 581		4.02	
<i>¶Included w/Regulator Handle Assy</i>				
<i>¶Order by Color Code</i>				

VAN SIDE PANEL

Use Procedure Explanations 22 and 28 with the following text.

SHEET METAL FRONT SECTION

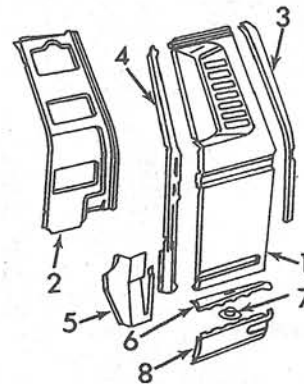
Refinish Outer Panel			
Front			2.6
Rear		R/L	2.5
Add to Edge Panel		R/L	.5
Add for Pillar Inside		R/L	.5
Refinish Wheelhouse		R/L	1.0
Section Outer Panel			
Left Front			#14.0
Left Rear			#16.0
<i>#Section Both Front & Rear 22.0, Includes R&L Side Glass</i>			
Right Rear			16.0



Panel, Outer			
1 Front	L 253 809 159	16.0	518.70
2 Rear	R 253 809 172 B	#18.0	826.77
	L 253 809 171	#18.0	640.20
<i>¶Includes Wheelhouse</i>			
<i>#R&R Front & Rear 26.0, w/ A/C Add 1.0</i>			
Panel, Inner			
3 Front (Left Only)	255 809 185	3.0	204.12
4 Rear	R 253 809 408 G	4.0	481.58
	L 253 809 407 F	4.0	481.58
5 Wheelhouse	R/L 251 809 156-5	#4.5	123.85
<i>¶Included w/Rear Outer Panel</i>			
<i>#w/Interior Trim Removed</i>			
6 Reinf, Ctr Frt Pnl	L 251 809 189		34.32
7 Panel, Lower	L 251 809 293	3.0	106.33
8 Reinf, Lwr Panel	L 251 809 335		22.23
9 Pillar, Center	R 251 809 354	#3.0	94.18
	L 252 809 353	#3.0	97.17
<i>#w/Interior Trim Removed</i>			
10 Reinf, Pillar Upper	R 251 809 400		16.13
	L 251 809 399		11.62
11 Reinf, Pillar Center	251 809 356		d14.45

SHEET METAL REAR SECTION

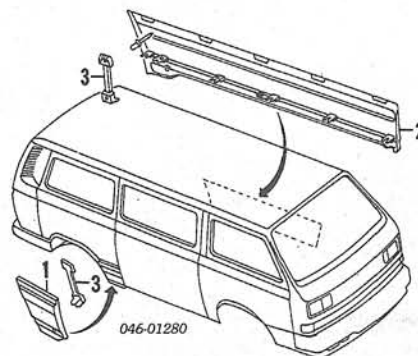
Refinish Outer Panel R/L 2.1



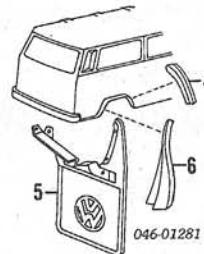
1 Panel, Outer	80 R/L	251 813 368-7	#16.0	d252.65
2WD	81-92 R	251 813 368 A	#16.0	400.35
	L	251 813 367 A	#16.0	400.35
4WD	R	251 813 368 C	#16.0	380.38
	L	251 813 367 A	#16.0	400.35
<i>#w/Rear Outer Panel Removed 10.0</i>				
Grille, Air Intake	R	251 853 682 1BG	.4	d31.65
	L	251 853 681 1BG	.4	45.38
2 Panel, Inner	R	253 813 370 B	#4.0	175.30
	L	253 813 369 B	#4.0	175.30
<i>#Included in R&R Outer Panel</i>				
3 Reinforcement	R/L	251 813 354-3	1.0	165.07
4 Plate, Panel	R/L	251 813 400-399	#1.0	142.63
<i>#Included in R&R Outer Panel</i>				
5 Reinf, Panel Plate	R/L	251 813 196-5		38.82
6 Plate, Filler	R/L	251 813 362-1		17.82
7 Valve, Drain	R/L	111 801 177		2.82
8 Panel, Lower	R/L	251 813 358-7	#2.5	26.72
<i>#w/Interior Trim Removed, w/Outer Panel Removed 1.0</i>				

EXTERIOR TRIM

Refinish Lower Trim Moulding R .5
L 1.2



Moulding, Lower Trim	(P)		
1 Right Rear Panel	255 853 984 B GRU	.3	208.75
2 Left Side Complete	255 853 983 A GRU	.4	447.36
<i>¶Primed</i>			
<i>(P) Paint to Match</i>			
3 Retainer, Moulding (5)	255 853 985		4.00

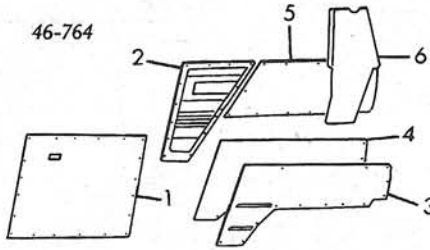


4 Guard, Stone	R 251 853 932 A	.2	11.08
	L 251 853 931 A	.2	11.08
5 Mud Flap w/Brkt	R 251 821 812 A	.3	83.53
	L 251 821 811 A	.3	83.53
6 Mud Flap	R 251 821 812 B	.2	50.57
	L 251 821 811 B	.2	50.57

†Synco w/205/70x14 Tires
Stripe Tape-See Stripe Tape Section

INTERIOR TRIM

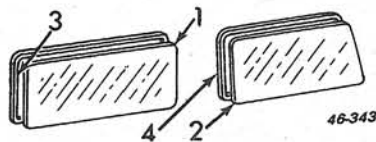
46-764



1 Panel, Trim Front (a) Left Only Standard w/Protect Strip w/o Protect Strip Vanagon GL Series	253 867 039 251 867 204 H 275 255 867 039 A 6RL 255 867 039 B QG9	.3 .3 .3 .3	d97.55 d37.35 d255.00 d255.00
2 Panel, Trim Rear (a) w/Mldg w/o Mldg Panel, Rear (Fiber Board) (a) w/Protect Strips w/o Protect Strips	R 255 867 036 A 6RL L 255 867 035 A 6RL R/L 255 867 036-5 R/L 253 867 036-5 R 253 867 406 275 L 253 867 405 275	.3 .3 .3 .3 .3	d208.60 d197.95 d179.95 d132.20 d60.00 d63.20
3 Cover, Luggage (a) w/Mldg w/o Mldg	R 255 867 432 K 5BL L 255 867 431 G 5BL R 255 867 824 A L 255 867 823 A	.2 .2 .4 .4	d13.70 d13.70 d73.60 d73.60

(a) Order by Trim Code & Application

SIDE GLASS STATIONARY



Glass, Side Body (Stationary) Volkswagen			
1 Front (Left Only) Clear Tint	253 845 301 253 845 301 D	.8 .8	113.48 192.67
2 Rear (2) Clear Tint	R/L 253 845 331 R/L 253 845 331 A	.8 .8	70.35 171.57
NAGS Front (Left Only) Clear Green Rear Clear Green	FD05269CLN FD05269GTN R/L FQ05271CLN R/L FQ05271GTN	.8 .8 .8 .8	0.00 0.00 0.00 0.00
Weatherstrip, Glass Front (Left) w/Mldg w/o Mldg	255 845 321 253 845 321	#.8 #.8	91.97 91.97
4 Rear (2) w/Mldg w/o Mldg	R/L 255 845 341 R/L 253 845 341	#.8 #.8	92.73 96.58
*R&R w/Glass, From 1986 Weatherstrip must be Replaced			
Moulding, Reveal† Front & Rear	80 255 853 305 81-92 255 853 345 A		22.32 28.80
†Cut to Fit			
Sleeve, Mldg Joint	80 R/L 171 853 339 A 81-92 R/L 311 853 309 B		2.57 d3.48

SIDE GLASS MOVEABLE

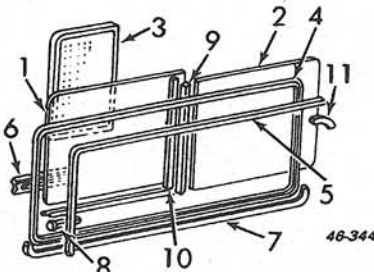
R&I Glass Assy	1.0
O/H Glass Assy (Includes R&I)	1.4

FRONT SIDE WINDOW

Illustration Located in Next Column

Window Assy, Left Front (a) w/Screen Clear Tint w/o Screen Clear Tint	253 847 711 B 908 253 847 711 D 908 253 847 711 908 253 847 711 C 908	1.4 1.4 1.4 1.4	d701.00 d706.00 d761.00 d706.00
(a) Order by Color Code			
Glass, Front† Volkswagen (Left Only) w/Screen			
1 Front			

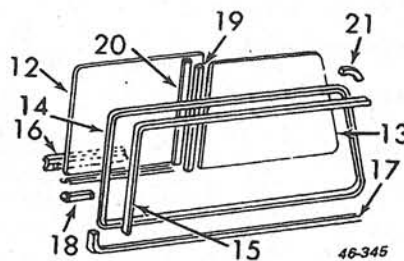
FRONT WINDOW



Clear Tint	253 845 303 D 253 845 303 E	.8 .8	91.50 110.83
2 Rear Clear Tint w/o Screen Front Clear Tint Rear Clear Tint	253 845 301 G 253 845 301 H 253 845 303 C 253 845 301 A 253 845 301 C	.8 .8 .8 .8 .8	48.25 70.35 70.23 91.50 48.25 70.35
NAGS (Left Only) w/Screen Front Clear Green Rear Clear Green w/o Screen Front Clear Green Rear Clear Green	FD05265CLN FD05265GTN FD05270CLN FD05270GTN FD05264CLN FD05264GTN FD05266CLN FD05266GTN 253 847 749 253 847 715 01C 281 847 721	.8 .8 .8 .8 .8 .8 .8 .8 82.68 265.03 35.67	0.00 0.00 0.00 0.00 0.00 0.00 0.00 0.00 82.68 265.03 35.67
3 Screen† 4 Frame† 5 Guide, Frame† 6 Runner, Slotted† (a) w/Screen w/o Screen (a) Order by Color Code	253 847 729 D 908 281 847 727 255 845 321 253 847 717 E 908 283 847 703 253 847 173 B 221 845 349	.8 .8 82.68 265.03 35.67 71.63 d10.50	91.97 61.72 24.22 11.15 1.50
7 Weatherstrip, Lower† 8 Guide, Lower† 9 Channel, Division† (a) (a) Order by Application	255 845 321 253 847 717 E 908 283 847 703		91.97 61.72 24.22
10 Weatherstrip, Channel† 11 Stop† †Included w/Front Window Assy	253 847 173 B 221 845 349		11.15 1.50
Moulding Reveal† Rear Window	80 255 853 305 81-92 255 853 345 A		22.32 28.80
†Cut to Fit			
Sleeve, Mldg Joint	80 171 853 339 A 81-92 311 853 309 B		2.57 d3.48

REAR SIDE WINDOW

REAR WINDOW



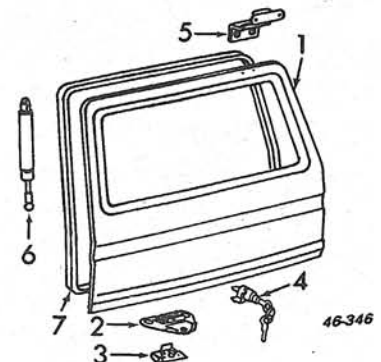
Window Assy, Rear (a) Volkswagen Clear Tint	R 253 847 762 C 908 L 253 847 761 D 908 R 253 847 762 D 908 L 253 847 761 E 908	.8 .8 .8 .8	d559.00 d559.00 d618.00 d576.30
(a) Order by Color Code			
Glass, Rear† Volkswagen Front Moveable Clear Tint Fixed Clear Tint	R/L 253 845 353 R/L 253 845 353 A R/L 253 845 353 C R/L 253 845 353 D	.8 .8 .8 .8	d85.25 d92.95 d83.90 91.50
12 Rear Fixed Clear Tint Moveable	R/L 253 845 351 R/L 253 845 351 A	.8 .8	d80.15 d98.80

Clear Tint	R/L 253 845 351 C R/L 253 845 351 D	.8 .8	d95.00 d92.95
NAGS Front Moveable Clear Green Fixed Clear Green Rear Fixed Clear Green Moveable Clear Green	R/L FQ05273CLN R/L FQ05273GTN R/L FQ05272CLN R/L FQ05272GTN R/L FQ05274CLN R/L FQ05274GTN R/L FQ05275CLN R/L FQ05275GTN	.8 .8 .8 .8 .8 .8 .8 .8	0.00 0.00 0.00 0.00 0.00 0.00 0.00 0.00
14 Frame, Rear Window† 15 Guide, Frame† 16 Runner, Slotted† †Included w/Rear Window Assy	R/L 253 847 765 A R/L 281 847 721 253 847 779 A		415.48 35.67 d45.95
17 Weatherstrip, Lower w/Mldg w/o Mldg	R/L 255 845 341 R/L 253 845 341		92.73 96.58
18 Guide, Lower 19 Channel, Division† 20 Weatherstrip, Channel† 21 Stop† †Included w/Rear Window Assy	R/L 253 847 717 E 908 R/L 253 847 703 R/L 253 847 173 B R/L 221 845 349		61.72 24.22 11.15 1.50
Moulding, Reveal† Rear Window	80 255 853 305 81-92 255 853 345 A		22.32 28.80
†Cut to Fit			
Sleeve, Mldg Joint	80 171 853 339 A 81-92 311 853 309 B		2.57 d3.48

LIFTGATE

Use Procedure Explanations 25 and 28 with the following text.

Refinish Liftgate Outside	2.5
Add for Jamb & Interior	1.0
R&I Gate Assy	.8



1 Shell, Liftgate w/Wiper w/o Wiper† †Additional Parts Required, Use VW Emblem & Grommets	251 829 105 T 251 829 105 T	5.0 4.5	675.23 675.23
Glass, Liftgate Volkswagen (Tint) Heated Non-Heated NAGS Heated Green Non-Heated Clear Green	251 845 501 A 253 845 501 FB02188GTN FB05276CLN FB05276GTN	2.2 2.2 2.2 2.2 2.2	529.40 263.88 205.90 0.00 0.00
Weatherstrip, Glass w/Mldg w/o Mldg †R&R w/Glass, From 1986 Weatherstrip must be Replaced	255 845 521 251 845 521	#2.2 #2.2	128.90 118.62
Moulding, Reveal Emblem, "VW" Grommet, Emblem (4) Washer, Clamping Nameplate "Volkswagen" "Vanagon" "Synco" "Vanagon L" "Vanagon GL" 80-83 84-92 "Vanagon Diesel" 255 853 689 C "Vanagon L Diesel" 80-81 82-92	255 853 305 701 853 601 F DRR 191 853 615 A 171 853 939 245 853 685 80-83 251 853 689 A 84-92 253 853 689 C 331 853 675 A 255 853 689 A 80-83 255 853 689 F 84-92 255 853 689 P 251 853 689 C 255 853 689 C 251 829 211 251 829 211 A 251 829 545		22.32 26.38 .73 1.20 13.23 d13.85 d15.85 17.40 d20.30 d13.80 d20.80 d12.35 d19.70 d52.10 63.88 27.68
2 Latch 3 Striker, Latch 4 Cylinder & Key 1980-83 1984-92 w/Pwr Locks w/o Pwr Locks †Does Not Include Recode Actuator, Power Lock †w/Trim Panel Removed	251 829 231 251 829 231 F 251 829 231 B 255 959 783 A R/L 251 829 641	#.3 #.3 #.3 #.3 #.3	76.90 76.97 76.97 80.90 44.02
5 Hinge †w/Liftgate Removed			

VW VANAGON 1980-92

LIFTGATE Cont'd

6 Support, Gate To Ch 25C102000 From Ch 25C102001	R/L 251 829 331 A R 251 829 332 L 251 829 331 B	.2 .2 .2	79.73 23.42 23.80
7 W/Strip (On Body) Blade w/Insert, Wiper #Included in R&R Wiper Arm	255 829 193 176 955 425 A	.4 #1	190.58 09.05
Arm, Wiper Motor, Wiper #Includes R&I Trim Panel	251 955 707 251 955 713 A	.2 #1.3	38.42 176.77
Plate, Motor Mount Pump, Washer Reservoir, Washer Nozzle, Spray Panel, Inside Trim (a)	251 829 129 431 955 651 251 955 453 E 211 955 993 255 867 611 5BL	.4 .4 .5 .2 .4	140.12 50.10 54.15 13.97 051.35

(a) Order by Trim Code

REAR SUSPENSION

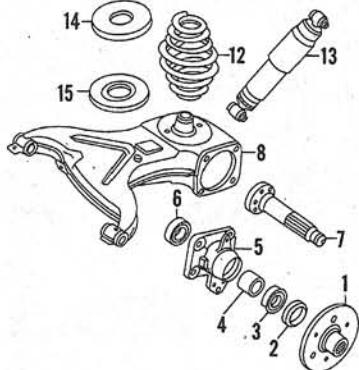
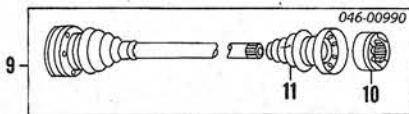
Use Procedure Explanation 23 with the following text.

R&I Suspension (One Side)	R/Lm	2.5
O/H Suspension (Includes R&I)		
One Side	R/Lm	3.5
Both Sides	m	6.6
Adjust Four Wheel Alignment	m	1.9
Adjust Rear Wheel Alignment	m	1.0
Bleed Brake System	m	.3

NOTE 1: R&I/R&R or O/H Does Not include alignment or bleed brake system.

NOTE 2: Refer to Special Cautions Section at the beginning of this vehicle text.

NOTE 3: All Parts in this section are included in overhaul unless noted otherwise.

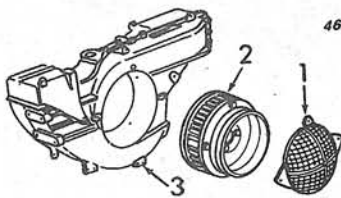


Drum, Brake	R/L 251 609 615	m	.3	138.33
1 Hub	R/L 211 501 619	m	#.8	266.00
2 Seal, Oil	R/L 211 501 317	m	#.8	15.68
3 Bearing, Outer	R/L 211 501 283 D	m	#.8	103.10
4 Spacer, Hub	R/L 211 501 281 E	m	#.8	28.87
#R&R One Side Complete, Includes R&R Drum or Outer Bearings & Seals				
5 Housing, Bearing	R/L 251 501 253	m	#1.8	350.68
6 Bearing, Inner	R/L 211 501 287	m	#1.8	42.97
#R&R One Side Complete, Includes R&R Drum & Hub Bearings & Seals, Both Sides 3.4				
Plate, Backing	R 251 609 426 D L 251 609 425 D	m	#.3 #.3	59.82 59.82
#w/Bearing Housing, Bearings, Seals, Hub & Drum Removed				
Hose, Brake	80-85 R/L 171 611 775 86-92 R/L 433 611 775 A	m	#.3 #.3	5.70 33.90
#R&R Each Additional .2				
7 Shaft, Axle Outer	R/L 211 501 231 4	m	#2.2	329.80
#Includes R&R Bearing Housing, Bearings, Seals, Hub & Drum, Both Sides 4.2				
8 Arm Assy, Trailing #Both Sides 3.8	R/L 251 501 401 E	m	#2.0	1167.65
Bushing, Arm	R/L 251 501 131 A	m	#.7	23.50
#Included w/Trailing Arm Assy				
#w/Trailing Arm Removed				
9 Shaft Assy, Drive Man Trans 2WD	80-82 R/L 251 501 203 83-92 R/L 251 501 203 GX	m	#.9 #.9	d375.00 R370.73
4WD	R/L 251 501 203 GX	m	#.9	R370.73
Auto Trans	80-82 R 251 501 204 L 251 501 203 A	m	#.9 #.9	d656.00 d671.00
	83-92 R 251 501 204 BX L 251 501 203 EX	m	#.9 #.9	R307.42 R307.42
#Not Included in O/H, w/Trailing Arm Removed Deduct .6				
10 Joint, CV	R/L 251 598 101 X	m	#1.4	R179.67

11 Boot Kit	R/L 251 598 201	m	#1.1	27.98
#Included w/Drive Shaft Assy				
#Not Included in O/H, w/Trailing Arm Removed Deduct .6				
12 Spring, Coil (a)	R/L 251 511 105	m	.5	d290.85
13 Absorber, Shock (a) Std Duty, Hvy Duty Model Wolfsburg Model	R/L 251 513 031 E R/L 251 513 031 G	m	.5 .5	59.73 59.73
14 Seat, Spring Upper (a)	R/L 7D0 511 147 A	m		22.30
15 Seat, Spring Lower (a)	R/L 251 511 139	m		16.67

(a) Order by Application

AIR COOLED 2.0L ENG GAS



1 Grille, Fan	021 119 207 01C			9.18
2 Fan Assy w/Pulley & Hub	071 119 031		1.8	d371.50
3 Housing, Fan w/A/C w/o A/C	071 119 199 A 071 119 199 A		5.7 5.0	d989.00 d989.00

ELECTRICAL

Horn	191 951 113 A		.3	14.70
Cap, Distributor	113 905 207 C	m	.3	10.03
Module, Main Computer				
1.9L Eng	025 906 021	m	.7	d557.00
2.0L Eng	039 906 021 C	m	.7	d595.00
2.1L Eng	025 997 022 X	m	.7	R652.53
Alternator (a) Gas Water Cooled Air Cooled Diesel	068 903 017 PX 068 903 017 PX 068 903 017 MX	m	.7 1.2 1.0	R673.78 R673.78 R220.48
Pulley (a) Gas Diesel	070 903 119 026 903 119 B	m		d24.05 61.30
Fan, Pulley (a)	068 903 171	m		17.00
Belt, Drive (a) Gas Diesel	070 903 137 068 903 137 AF		.7 .9	d9.45 12.72
(a) Order by Application				
Battery Gas Diesel	191 915 105 Q 191 915 105 Q		.4 .4	110.99 110.99
Cable, Battery Positive Gas	80-85 251 971 228 K 86-92 251 971 228 L		1.0 1.0	242.23 235.30
Diesel	251 971 228 E		1.0	58.72
Cable, Battery Negative	251 971 235 C		.4	45.22
Clamp, Hold-Down	251 915 313			7.90

ENGINE

Use Procedure Explanation 12 with the following text.

1.9L ENG GAS

R&I Engine Assy		m	5.6	
Add to R&I Engine Assy w/A/C w/Auto Trans		m	1.0 .6	
Crankcase Assy #w/A/C Add .8	025 101 025	m	#14.0	d817.00
Pulley w/A/C w/o A/C Carrier, Eng Mount, Insulator	025 105 257 025 105 251 070 199 203 A	m	1.9 1.9 4.0	393.37 153.68 457.00
Mount, Insulator Outer Inner	070 199 231 A 070 199 231		#2.3 #2.3	33.93 19.98
#Time is for One or Both				
Support #w/Mount Removed	070 199 221 A		#.2	146.55
Pipe, Oil w/Dome	025 101 149 B	m		48.72
Pump, Electric Fuel-See Fuel Tank Section				

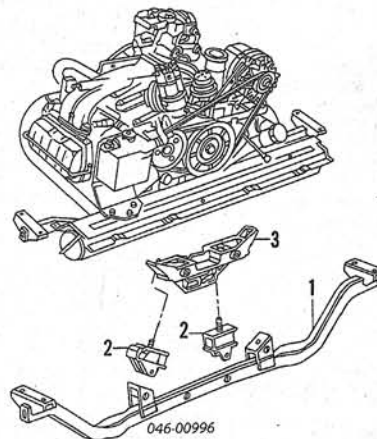
GAS 2.0L ENG

R&I Engine Assy		m	5.6	
Add to R&I Engine Assy w/A/C w/Auto Trans		m	1.0 .6	
Crankcase Man Trans Auto Trans	071 101 025 A 071 101 025 A	m	#13.7 #14.9	d2000.00 d2000.00
#w/A/C Add .8				
Carrier, Eng	071 199 203 A	m	2.5	428.25
Mount, Insulator Outer Inner	070 199 231 A 070 199 231		#2.3 #2.3	33.93 19.98
#Time is for One or Both				
Support #w/Mount Removed	071 199 221 A		#.2	d136.50
Pipe, Oil w/Dome	021 101 149 C	m		d119.70

Pump, Electric Fuel-See Fuel Tank Section Cooler, Oil	021 117 021 B	m	.6	205.83
---	---------------	---	----	--------

GAS 2.1L ENG

R&I Engine Assy		m	5.6	
Add to R&I Engine Assy w/A/C w/Auto Trans		m	1.0 .6	



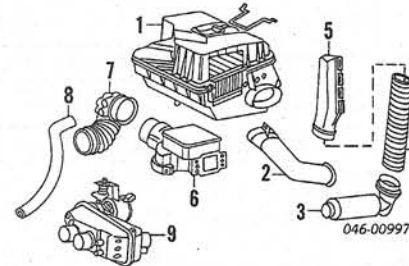
Crankcase #w/A/C Add .8	025 101 025 A	m	#14.0	2787.67
Pulley, Crankshaft w/A/C w/o A/C	025 105 257 025 105 251	m	1.9 1.9	393.37 153.68
1 Carrier, Eng	025 199 203 D	m	2.5	410.57
2 Mount, Insulator Outer Inner	070 199 231 A 070 199 231		#2.3 #2.3	33.93 19.98
#Time is for One or Both				
3 Support, Mount #w/Mount Removed	025 199 221 A		#.2	239.32
Pipe, Oil w/Dome	025 101 149 B	m		48.72
Pump, Electric Fuel-See Fuel Tank Section				

DIESEL 1.6L ENG

R&I Engine Assy		m	5.6	
Add to R&I Engine Assy w/A/C w/Auto Trans		m	1.0 .6	
Pulley, Crankshaft	055 105 255	m	1.0	51.77
Carrier, Eng	R 251 199 200 A L 251 199 199 A	m	1.0 1.0	d251.25 d310.30
Mount, Eng	251 199 201 E		1.0	147.53
Bracket, Mount	R 068 199 208 L 068 199 207 B		#.2 #.2	d108.35 341.67
#w/Mount Removed				
Strut, Carrier	251 199 247 A			d12.85
Mount, Trans	251 399 201 L		1.0	154.00
Bracket, Trans Mount	251 399 241 A			d56.80
Cover, Timing	068 109 121 C	m	.5	71.12
Pan, Oil	068 103 603 A	m	#2.3	d385.05
Gasket, Oil Pan	028 103 609 A	m	#	24.65
#R&R Complete				
Pump, Injector #w/A/C Add .3	068 130 108 KX	m	#3.1	d1323.00

AIR CLEANER

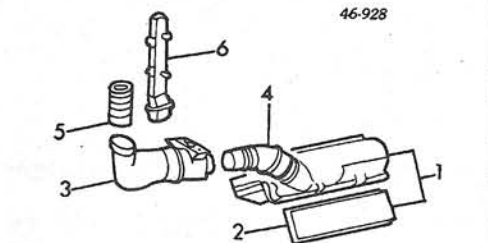
GAS



1 Cleaner Assy, Air 1.9L Eng 2.0L Eng 2.1L Eng	025 129 607 D 071 129 607 C 80-85 025 129 607 D 86-92 025 129 607 L	m	#.6 #.6 #.6 #.6	d154.60 d101.45 d154.60 109.52
#Includes R&R Cleaner Element & Intake Hose & Elbow				
Element, Cleaner	80-85 021 129 620 86-92 025 129 620 A DSF		.3 .3	13.08 18.82
#Included w/Air Cleaner Assy				
Elbow, Intake 2 2WD 1.9L Eng 2.0L Eng	025 129 617 C 071 129 767 A		.2 .2	d26.95 d32.40

2.1L Eng	80-85 025 129 617 C	.2	d26.95
	86-92 025 129 609	.2	87.32
3 4WD	251 129 967	.2	21.07
4 Hose, Intake	251 129 535 A	.2	32.77
5 Duct, Air Intake	251 129 534 A		25.97
6 Meter, Air Flow	025 906 301 C	m .7	531.46
<i>#Order by Application</i>			
7 Tube, Intake			
2WD			
1.9L Eng	025 129 967 A	.3	78.77
2.0L Eng	071 129 967	.3	d29.05
2.1L Eng	80-85 025 129 967 A	.3	78.77
	86-90 025 129 627 L	.3	62.12
4WD	025 129 627 H	.3	130.82
8 Hose, Air	N 900 788 02		d11.25
<i>#Order by Application</i>			
9 Distributor, Air			
1.9L Eng	025 133 055 C	m #1.6	d364.37
2.0L Eng	022 133 055 J	m #1.6	d294.70
2.1L Eng	025 133 055 D	m #1.6	340.55
<i>#Includes R&I Intake Pipe on One Side & Adjust Idle</i>			

DIESEL



46-928

1 Cleaner Assy, Air	068 129 607	#.6	195.13
<i>#Includes R&R Cleaner Element & Outer & Inner Intake Elbow</i>			
2 Element, Cleaner	069 129 620 DSF	.3	9.24
<i>#Included w/Air Cleaner Assy</i>			
Elbow, Air Intake			
3 Outer	068 129 902	.2	153.87
4 Inner	068 129 967	.2	d38.47
5 Hose, Air	251 129 535	.2	102.42
6 Duct, Air Intake	251 129 533 B	.2	24.13

EXHAUST

GAS 1.9L ENG

Manifold, Exhaust			
Front	025 251 171 G	m #.8	d172.48
Rear	025 251 172 G	m #2.0	115.98
<i>#R&R Both 2.4</i>			
Connector, Pipe	025 251 147 D	.7	79.73
Converter, Catalytic			
1983-84	433 131 701 DX	1.0	963.72
1985	443 131 701 X	1.0	575.01
Muffler	025 251 053 E	1.0	d282.15
Tailpipe	021 251 185 E	.5	d21.25

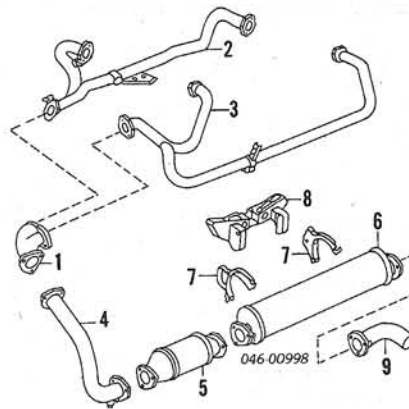
GAS 2.0L ENG

Pipe, Exhaust			
w/o Calif Emission	071 251 497 B	#.8	d435.40
w/Calif Emission	071 251 497 A	#.8	d595.00
Connector, Pipe	039 251 551	#.8	d315.00
<i>#R&R Both 1.3</i>			
Converter, Catalytic			
w/o Calif Emission	039 131 701 X	1.0	d397.40
w/Calif Emission	071 131 701 X	1.0	d323.60
Muffler	071 251 053 C	1.0	d169.25
Tailpipe	071 251 185 A	.3	52.38
Exchanger, Heat			
Right	071 256 092 B	1.0	d373.40
Left			
w/o Calif Emission	071 256 091 B	1.0	d393.60
w/Calif Emission	80 071 256 092 B	1.0	d373.40
	81-83 071 256 091 A	1.0	d437.60

GAS 2.1L ENG

Illustration Located in Next Column

1 Connector, Manifold	025 251 217		142.00
Manifold, Exhaust			
2 Front			
2WD	025 251 171 AD	m #.8	115.45
4WD	025 251 171 AB	m #.8	187.46
3 Rear			
2WD	025 251 172 R	m #2.0	115.45
4WD	025 251 172 P	m #2.0	174.05
<i>#R&R Both 2.4</i>			
4 Pipe, Connector			
2WD	025 251 147 BL	.7	85.18
4WD	025 251 147 BM	.7	87.73
5 Converter, Catalytic	025 131 701	1.0	1060.00
6 Muffler	025 251 053 N	1.0	196.67
7 Bracket, Muffler	R 025 251 520 F		77.38
	L 025 251 519 F		77.38



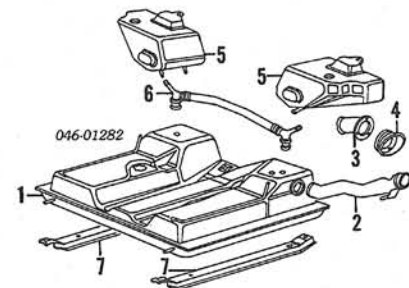
8 Bracket, Mount-See Engine Section			
9 Tailpipe	025 251 185 C	.5	61.03

DIESEL

Manifold, Exhaust	033 129 587	m 1.1	390.15
Pipe, Exhaust	068 251 171 D	.6	d203.63
Muffler	068 251 053 D	1.1	444.98
Tailpipe	071 251 185 A	.5	52.38

FUEL TANK

NOTE: R&R Does Not include drain and refill.



1 Tank, Fuel			
1980-84			
w/o Calif Emission	251 201 075 C	m 2.3	d283.75
w/Calif Emission	251 201 075 L	m 2.3	d317.20
1985	251 201 075 L	m 2.3	d317.20
1986-91			
2WD	251 201 075 AH	m 2.3	743.18
4WD	251 201 075 AA	m #2.3	729.94
<i>#w/Transaxle Assy Removed</i>			
Cap, Filler			
Non-Locking	251 201 551 C		32.60
Locking			
1980-85	251 201 551 C		32.60
1986-91			
2WD	251 201 551 J		59.00
4WD	251 201 551 H		59.00
2 Pipe, Filler (a)	251 201 121 D		104.15
3 Neck, Filler (a)	251 201 119 D		38.78
<i>(a) Order by Application</i>			
4 Housing, Filler Neck	251 201 117 01C		11.67
5 Tank, Expansion	R 251 201 304 C		40.25
	L 251 201 303 C		40.25
6 Line, Pressure	251 201 147 B		41.10
7 Rail, Protection	R/L 251 201 651 A		37.25
Pump, Fuel			
Gas	251 906 091	m .8	280.05
Diesel	281 261 467 C	m .8	522.50
Gauge, Tank Unit	80-84 251 919 051 E	m #2.3	d88.82
	85-92 251 919 051 K	m #2.3	89.53
<i>#Included in R&R Fuel Tank</i>			

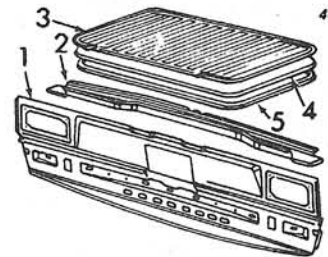
REAR BODY

Use Procedure Explanations 26 and 28 with the following text.

Refinish Lower Panel	1.5
Add to Edge Panel	.5
Add for Inside	.8
Refinish Crossmember	1.0

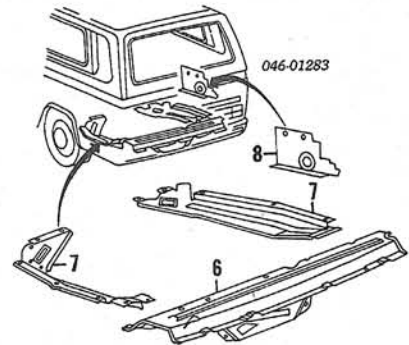
Illustration Located in Next Column

1 Panel, Lower	251 813 193 H	#6.5	194.07
<i>#Deduct 1.5 for Each Rear Section Outer Panel Removed, Deduction Includes Common Surfaces & Included Operations</i>			
Cover, Inspection	251 813 851		98.53
Gasket, Cover	251 813 859		3.22



46-349

Spring, Cover	251 813 867		1.50
2 Crossmember, Upper			
To Ch 24D051580	251 813 217	#1.5	d116.30
From Ch 24D051581	251 813 225 A	#1.5	98.70
<i>#w/Lower Panel Removed</i>			
3 Lid Assy, Engine Cover			
Metal	251 813 223		482.37
Plastic	255 813 223 F		482.28
4 Absorber, Sound	251 813 835		45.43
Handle, Lid	311 813 787		1.20
Catch, Lid	251 813 789		6.90
<i>#Included w/Engine Cover Lid Assy</i>			
5 Seal, Lid	251 813 133 B		40.37

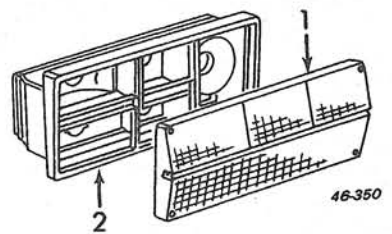


046-01283

Shield, Eng Splash			
6 Center			
2WD	251 863 846 D		105.38
4WD	251 863 846 L		105.38
7 Side			
R	251 813 166 A		48.62
L	251 813 165 E		59.33
8 Cover, Side	R 251 813 412		d23.15

REAR LAMPS

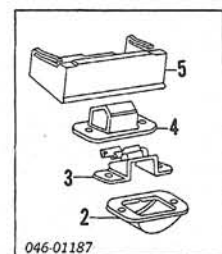
COMBINATION LAMP



46-350

1 Lens			
R	251 945 112 A	.2	107.43
L	251 945 111 A	.2	107.43
2 Housing & Socket			
R	251 945 258 A	.3	53.75
L	251 945 257 A	.3	54.02
Bulb, Tail/Signal	R/L N 017 718 5		1.50
Bulb, Stop/Back-Up	R/L N 017 732 2		1.70

LICENSE LAMP



046-01187

1 Lamp Assy, License	251 943 021 A		24.17
2 Lens	251 943 121	.2	2.72
3 Socket	<i>#Serviced w/License Lamp Assy</i>		
4 Gasket	<i>#Serviced w/License Lamp Assy</i>		

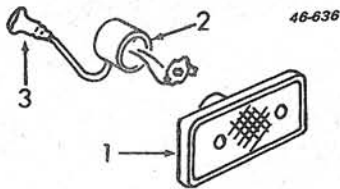
VOLVO 240 1986-93

REAR LAMPS Cont'd

LICENSE LAMP Cont'd

Bulb	N 017 717 2	1.50
5 Housing	251 943 139	13.52
<i>#Included w/License Lamp Assy</i>		

SIDE MARKER LAMP



1 Lens & Housing	R/L 321 945 361 A	2	17.92
2 Gasket	R/L 433 971 867		2.22
3 Socket	R/L 321 945 351		52.25
Bulb	R/L N 017 717 2		1.50

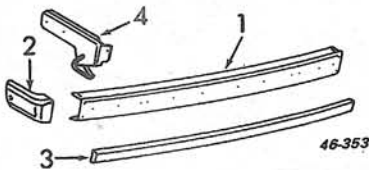
REAR BUMPER

Use Procedure Explanations 27 and 28 with the following text.

STANDARD

Refinish Face Bar	1.0
R&I Bumper Assy	.6
O/H Bumper Assy (Includes R&I)	1.0

NOTE: All Parts in this section are included in overhaul unless noted otherwise.

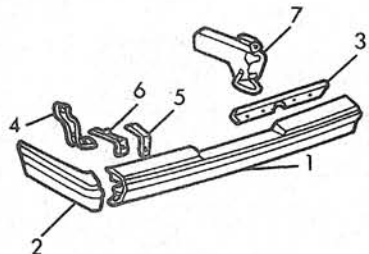


1 Face Bar				
Primered (P)	251 807 311 M	1.0	286.17	
Chrome	255 807 311 H	1.0	772.83	
<i>(P) Paint to Match</i>				
2 End, Face Bar	80-87 R 251 807 123 A 1BG	#.3	24.02	
	L 251 807 124 A 1BG	#.3	24.02	
	88-90 R 251 807 123 A 1BG	#.3	24.02	
	L 251 807 124 A 1BG	#.3	24.02	
<i>#Included in O/H</i>				
3 Strip, Impact	251 807 421 A	IOH	110.23	
4 Bracket, Impact	R/L 255 807 296-5	#.3	d93.50	
<i>#w/Bumper Assy Removed, Not Included in O/H</i>				

DELUXE

Refinish Cover & Ends Complete	2.0
Refinish Cover	1.0
Refinish End	R/L .5
R&I Bumper Assy	.6
O/H Bumper Assy (Includes R&I)	1.5

NOTE: All Parts in this section are included in overhaul unless noted otherwise.



1 Cover (P)	255 807 311 L GRU	1.5	582.55
2 End, Cover (P)	R 255 807 324 A GRU	#.3	313.55
	L 255 807 323 A GRU	#.3	199.43
<i>(P) Paint to Match</i>			
<i>#w/Cover Assy Removed, Included in O/H</i>			
3 Trim, Cover	R/L 255 807 397	#.2	18.43
<i>#w/Cover Assy Removed, Not Included in O/H</i>			
4 Retainer, Grease Bracket, Center	R/L 255 807 347	IOH	20.73
5 Outer	R/L 255 807 393	IOH	13.08
6 Inner	R/L 255 807 381	IOH	16.35
7 Bracket, Impact	R 255 807 296 B	#.3	131.85
	L 255 807 295 C	#.3	131.85

#w/Cover Assy Removed, Not Included in O/H

VOLVO 240 1986-93

SECTION INDEX

A/C /HEATER	2042
A/C REFRIGERANT CAPACITIES	2042
ABS/BRAKES	2043
AIR BAG SYSTEM	2043
AIR CLEANER	2045
BACK WINDOW	2050
CENTER CONSOLE	2046
CLEAR COAT IDENTIFICATION	2040
COOLING	2041
COWL & DASH	2046
CRUISE CONTROL SYSTEM	2043
ELECTRICAL	2045
EMISSION SYSTEM	2045
ENGINE	2045
ENGINE/TRANS MOUNTS	2045
EXHAUST	2045
FRONT BUMPER	2041
FRONT DOOR	2048
FRONT FENDER	2043
FRONT INNER STRUCTURE	2043
FRONT LAMPS	2041
FRONT SEAT	2047
FRONT STEERING LINKAGE/GEAR	2044
FRONT SUSPENSION	2044
FUEL TANK	2052
GRILLE	2041
HOOD	2041
INFORMATION LABELS	2040
INSTRUMENT PANEL	2046
LIFTGATE	2051
LUGGAGE LID	2051
PAINT CODE LOCATION	2040
QUARTER GLASS	2051
QUARTER PANEL	2050
REAR BODY	2052
REAR BUMPER	2053
REAR DOOR	2048
REAR LAMPS	2053
REAR SEAT	2047
REAR SUSPENSION	2052
ROCKER/PILLARS/FLOOR	2047
ROOF	2049
SEAT BELTS	2047
SPECIAL CAUTIONS	2040
STEERING PUMP	2045
STEERING WHEEL/COLUMN	2045
STRIPE TAPE	2042
SUNROOF	2050
UNDERHOOD DIMENSIONS	2043
WHEEL	2044
WINDSHIELD	2046

SPECIAL CAUTIONS

AIR BAGS

Refer to Procedure Explanation 29 for Supplemental Restraint/Air Bag Special Cautions.

ELECTRICAL COMPONENTS

Manufacturer advises that Radio Microprocessor damage may occur if Radio is not switched off prior to disconnecting battery.

SEAT BELTS

Manufacturer advises that both seat belt assemblies must be replaced after air bag deployment.

PAINT CODE LOCATION

Paint code located at center of radiator support, front of engine compartment, behind spare tire, on right wheelhouse or on right side of firewall.

CLEAR COAT IDENTIFICATION

All metallic colors and (Codes 604 and 605) are clear coat.

INFORMATION LABELS

Coolant Mixture	1331473-7	1.40
-----------------	-----------	------